

**PARTS LIST**

[XV-D9000]

\* All printed circuit boards and its assemblies are not available as service parts.

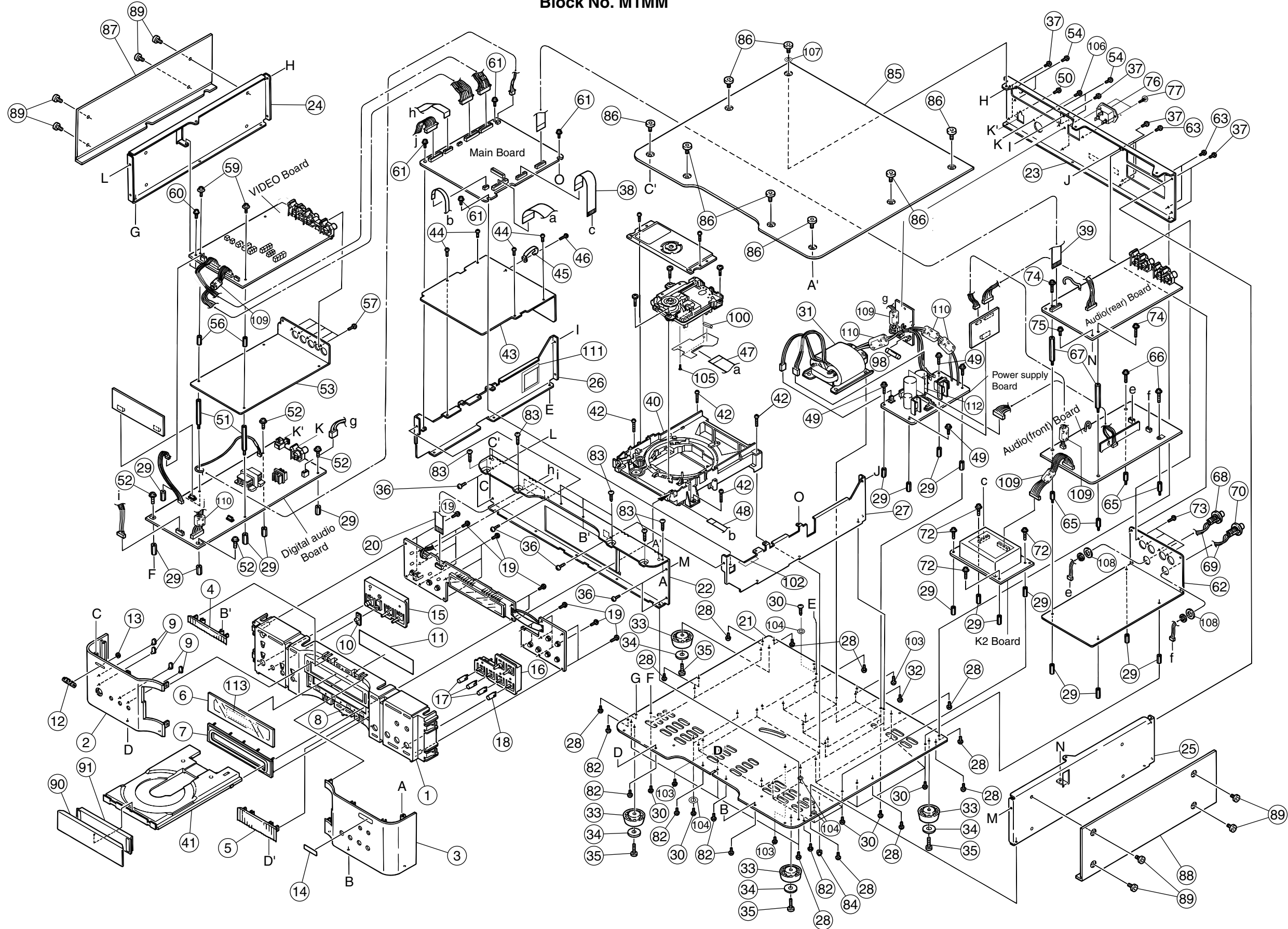
**Area Suffix**  
E --- Continental Europe

- Contents -

Exploded view of general assembly and parts list ..... 3-2  
DVD Mechanism assembly and parts list ..... 3-5  
Electrical parts list ..... 3-7  
Packing materials and accessories parts list ..... 3-24

# Exploded view of general assembly and parts list

Block No. M1MM



■ Parts list (General assembly) 1/2

Block No. M1MM

▲	Item	Parts number	Parts name	Q'ty	Description	Area
	001	LV10295-001A	FRONT BASE	1		
	002	LV10296-005A	FRONT PANEL(L)	1		
	003	LV10297-004A	FRONT PANEL(R)	1		
	004	LV31548-002A	ORNAMENT(U)	1		
	005	LV31549-002A	ORNAMENT(L)	1		
	006	LV31550-001A	W.SCREEN	1		
	007	LV31552-002A	PAD	1		
	008	LV41692-001A	SPACER	10	PAD	
	009	LV41472-001A	INDICATOR	4		
	010	E408131-001	REMOTE LENS	1		
	011	LV31551-001A	FL SCREEN	1		
	012	E409213-003	JVC MARK	1		
	013	E60912-003	SPEED NUT	1		
	014	LE40490-002A	MARK	1	EX-K2	
	015	LV20561-001A	P.BUTTON ASSY	1	POWER	
	016	LV20562-001A	PUSH BUTTON	1	PLAY	
	017	LV31621-003A	CAP	3	EJ.STP.PAU.	
	018	LV31621-004A	CAP	1	PLAY	
	019	QYSDSF2608Z	SCREW	17	FRONT CB	
	020	QUQD10-1515AJ	FFC WIRE	1	FOR CN801	
	021	LV10299-002A	CHASSIS BASE	1		
	022	LV10298-001A	FRONT BRACKET	1		
	023	LV20569-006A	REAR PANEL	1		
	024	LV20565-001A	SIDE BRACKET(L)	1		
	025	LV20566-001A	SIDE BRACKET(R)	1		
	026	LV20567-003A	CENTER BRACKET(L)	1		
	027	LV20568-001A	CENTER BRACKET(R)	1		
	028	QYSBSG3008E	T.SCREW	15		
	029	E406868-002	STUD	18	15MM	
	030	QYSBST3008E	T.SCREW	18	STUD	
▲	031	QQT0294-003	TRANS	1	T6501	
	032	QYSDST4012E	T.SCREW	4		
	033	LV31623-001A	FOOT	4		
	034	LV41496-002A	SPACER	4	FOOT	
	035	QYSDST4012E	T.SCREW	4		
	036	QYSBSG3008E	T.SCREW	6	FRNT-BKT	
	037	QYSBSG3008E	T.SCREW	8	REAR-BKT	
	038	QUQD10-2110AJ	FFC WIRE	1	TO K2 BOARD	
	039	QUQD10-2108AJ	FFC WIRE	1	MAIN-AUDIO REAR	
	040	-----	DVD DRIVE MECHANISM	1	D3 MECHA	
	041	LV20684-002A	TRAY	1		
	042	QYSBST3012E	T.SCREW	4		
	043	LV31553-002A	SHEILD BRACKET	1		
	044	QYSBSG3008E	T.SCREW	4	SHIELD BRACKET	
	045	VKZ4001-111	WIRE HOLDER	1	FOR T6501 SEC.	
	046	QYSBSG3008E	T.SCREW	1	FOR WIRE HOLDER	
	047	QUQA10-3718AM	FFC WIRE	1	MECHA-MAIN	
	048	QUQA10-0715AJ	FFC WIRE	1	MECHA-MAIN	

## ■ Parts list (General assembly) 2/2

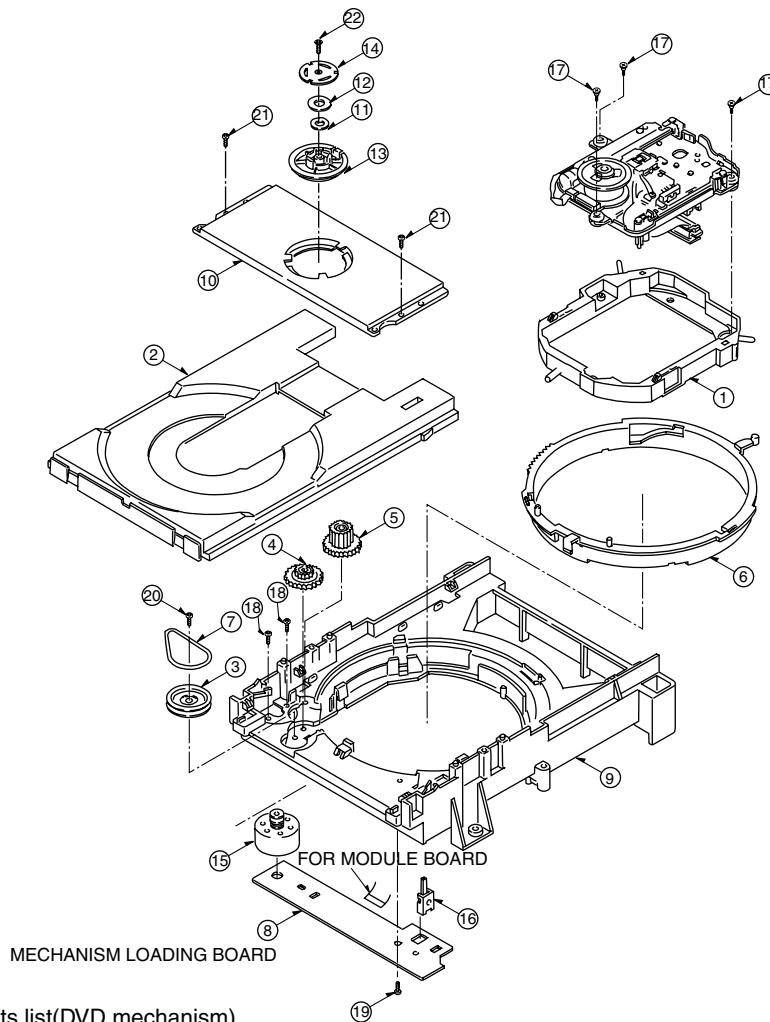
Block No. M1MM

△	Item	Parts number	Parts name	Q'ty	Description	Area
	049	QYSPSPN3010E	SCREW	4		
	050	QYSBSG3008E	T.SCREW	1	OPTICAL OUTPUT	
	051	LV41251-003A	STUD	2	40MM	
	052	QYSPSPN3010E	SCREW	4	STUD	
	053	LV31554-004A	SHIELD BKT(L)	1		
	054	QYSBSGY3008E	SPECIAL SCREW	4	REAR	
	056	LV41251-002A	STUD	2	10MM	
	057	QYSBSGY3008E	SPECIAL SCREW	5	CB,CR	
	059	QYSPSPN3006E	SCREW	2	STUD	
	060	QYSBSGG3008E	T.SCREW	1	S.BKT	
	061	QYSBSGG3008E	T.SCREW	4	MAIN C.B	
	062	LV20570-003A	SHIELD BKT(R)	1		
	063	QYSBSGY3008E	SPECIAL SCREW	4	REAR	
	065	LV41251-002A	STUD	4	10MM	
	066	QYSPSPN3006E	SCREW	2	STUD	
	067	LV41251-003A	STUD	2	40MM	
	068	QNN0045-001	PIN JACK	1	PIN JACK-L	
	069	WJM0139-001A	E-SI C WIRE C-F	2	PIN JACK	
	070	QNN0044-001	PIN JACK	1	PIN JACK-R	
	072	QYSPSPN3010E	SCREW	4	STUD	
	073	QYSBSGY3008E	SPECIAL SCREW	4		
	074	QYSPSPN3010E	SCREW	2	STUD	
	075	QYSBSGG3008E	T.SCREW	1	S.BKT	
	076	QNC0013-001	AC INLET	1	J9999	
	077	QYSBST3008E	T.SCREW	2		
	082	QYSBSG3008E	T.SCREW	6	BOTTOM	
	083	QYSDSG3008E	T.SCREW	8	TOP	
	084	LV41498-001A	NUT	4	MECHA	
	085	LV10300-002A	TOP PLATE	1		
	086	E75314-001	SPECIAL SCREW	8	D10.3MM	
	087	LV20571-002A	SIDE PANEL(L)	1		
	088	LV20572-002A	SIDE PANEL(R)	1		
	089	E75314-001	SPECIAL SCREW	8	D10.3MM	
	090	LV20563-002A	FITTING	1		
	091	LV20564-001A	FITTING BASE	1		
△	098	QMF51A2-R80-S	FUSE	1	F9991	
	100	LV31435-001A	CONECTOR HOLDER	1	RF CONNECTOR HOL	
	101	LV41718-001A	LABEL	1		
	102	LV30225-079A	SPACER	1		
	103	QYSBSGY3008E	SPECIAL SCREW	3		
	104	QYWBS326505E	WASHER	4		
	105	QYSBSF2006Z	SCREW	2		
	106	QYSBSGY3008E	SPECIAL SCREW	1	COAXIAL	
	107	QYWAS53A006E	WASHER	1	R,LEFT	
	108	QYWASA5J009N	T.LOCK WASHER	2	PIN JACK	
	109	QQR0594-001	NOISE FILTER	4		
	110	QQR0216-001	NOISE FILTER	4		
	111	LV30225-079A	SPACER	1		
	112	LE40736-002A	SHIELD PLATE	1		
	113	E3400-403	SPACER	1		

# DVD mechanism assembly and parts list

Block No. M2MM

1/2  
FLM-V3



■ Parts list(DVD mechanism)

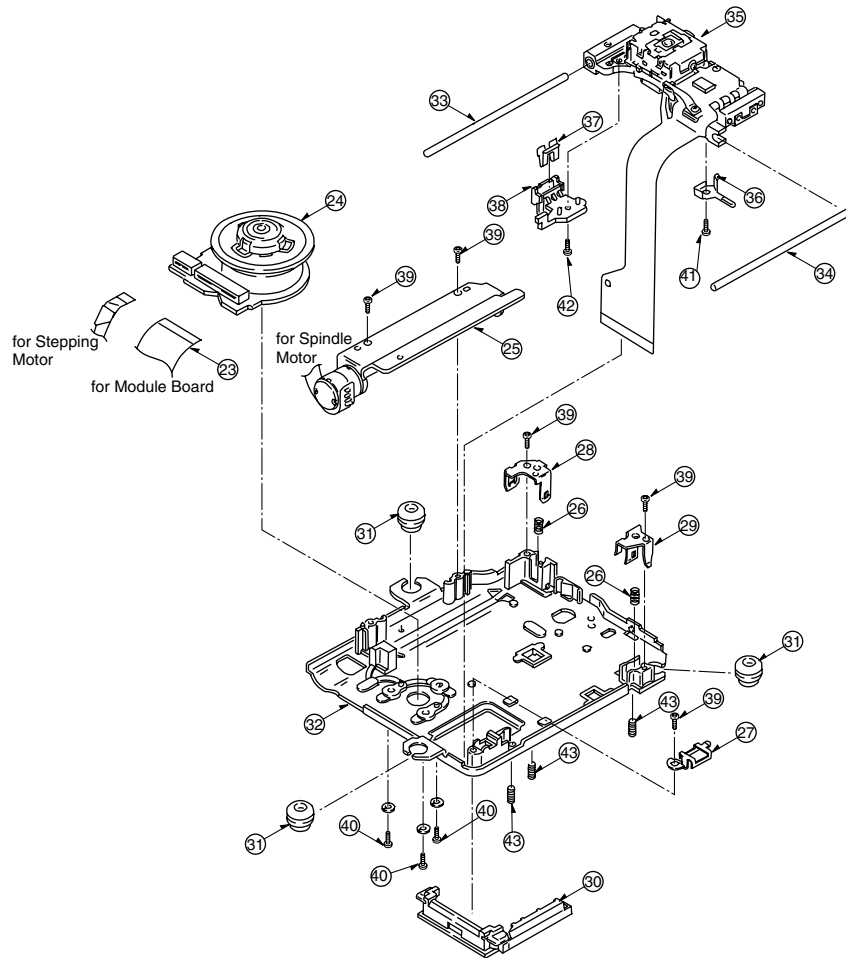
△	REF.	PARTS NO.	PARTS NAME	QTY	SUFFIX
	1	GMVMD3270	Chassis	1	
	2	LV20684-002A	Tray	1	
	3	GMVDG1308	Pulley gear	1	
	4	GMVDG1309	Drive gear 1	1	
	5	GMVDG1310	Drive gear 2	1	
	6	GMVDK0156	UP DOWN cam	1	
	7	GMVDV0373	Belt	1	
	8	-----	Mecha loading p.c.Board	1	
	9	GMVMD3266	Loading Base	1	
	10	GMVMD3263	Clampe base	1	
	11	GMJSM0048	Magnet	1	
	12	GMVMA9535	Clamp back yoke	1	
	13	GMVMD3264	Clamper	1	
	14	GMVMA0B93	Clamper weight	1	
	15	GMVEM0664	Loading motor unit	1	
	16	GMVSH0170	Twin switch	1	
	17	GMVHD1223	Screw 1	3	
	18	GMXQNQC17+3	Screw 2	2	
	19	GMXTV3+10G	Screw 3	1	
	20	GMXTW2+12T	Screw 4	1	
	21	GMXTV3+10G	Screw 5	2	
	22	GMXTS3+6J	Screw 6	1	

# DVD mechanism assembly and parts list


Block No. M2MM

2/2

FML-V3



■ Parts list(DVD mechanism)

	REF.	PARTS NO.	PARTS NAME	QTY	SUFFIX
	23	GMVWJ1277	Spindle FFC	1	
	24	GMVEM0665	Spindle motor unit	1	
	25	GMVEM0666	Stepping motor unit	1	
	26	GMVMB3278	Tilt spring 1	2	
	27	GMVMC1487	Tilt spring 2	1	
	28	GMVMC1488	Spring suppresses 1	1	
	29	GMVMC1489	Spring suppresses 2	1	
	30	GMVMD3261	FPC holder	1	
	31	GMVMG1166	Floating rubber	3	
	32	GMVMK0474	Traverse chassis	1	
	33	GMVMS6471	Guide shaft 1	1	
	34	GMVMS6472	Guide shaft 2	1	
	35	GMVED0402	Optical pick up	1	
	36	GMVMC1491	Spring	1	
	37	GMVMC1490	Nut spring	1	
	38	GMVMD3260	Nut	1	
	39	GMVHD1224	Screw 1	5	
	40	GMVHD1225	Screw 2	3	
	41	GMVHD1057	Screw 3	1	
	42	GMXQNQC17+3	Screw 4	1	
	43	GMXXE26C6FN	Screw 5	3	

# Electrical parts list

■ Electrical parts list (Power supply & FL display board)

Block No. 01

△	Item	Parts number	Parts name	Remarks	Area
	CN801	QGF1016F3-15	15FFC CONNECTOR		
	CN911	QJP013-034001	SHI CR C-B WIRE		
	CN951	QGB2510J1-04	CONNECTOR	SHIELD	
	CN952	QGB2510J1-04	CONNECTOR	SHIELD	
	CN961	WJK0094-001A	E-SI C WIRE C-B		
	CN971	WJK0091-001A	E-SI C WIRE C-B		
	CN981	QGA2001C1-06	6P PLUG ASSY	FOR FL REMOCON	
	CN991	QGA7901C1-02	CONNECTOR		
△	CP981	ICP-N10-T	ICP		
	C8002	QCZ0205-155Z	ML C CAPACITOR	1.5MF	
	C8005	QCFB1HZ-104Y	C CAPACITOR	.10MF +80:-20%	
	C8006	QER61AM-476Z	E CAPACITOR	47MF 20% 10V	
	C8007	QER61AM-226Z	E CAPACITOR	22MF 20% 10V	
	C8301	QER61HM-475Z	E CAPACITOR	4.7MF 20% 50V	
	C8302	QER61HM-475Z	E CAPACITOR	4.7MF 20% 50V	
	C8401	QCFB1HZ-104Y	C CAPACITOR	.10MF +80:-20%	
	C8402	QCB1HK-101Y	C CAPACITOR	100PF 10% 50V	
	C8403	QER61AM-226Z	E CAPACITOR	22MF 20% 10V	
	C8404	QCFB1HZ-104Y	C CAPACITOR	.10MF +80:-20%	
	C8405	QCB1HK-471Y	C CAPACITOR	470PF 10% 50V	
	C8406	QCB1HK-471Y	C CAPACITOR	470PF 10% 50V	
	C8407	QCB1HK-471Y	C CAPACITOR	470PF 10% 50V	
	C8408	QCFB1HZ-104Y	C CAPACITOR	.10MF +80:-20%	
	C9101	QEXL1AM-476	OS E CAPACITOR	5MM SA	
	C9102	QCZ0205-155Z	ML C CAPACITOR	1.5MF	
	C9151	QEXL1AM-476	OS E CAPACITOR	5MM SA	
	C9152	QECN1EM-476Z	E CAPACITOR	47MF 20% 25V	
	C9153	QCS31HJ-330Z	C CAPACITOR	33PF 5% 50V	
	C9158	QCS31HJ-471Z	C CAPACITOR	470PF 5% 50V	
	C9161	QEXL1AM-476	OS E CAPACITOR	5MM SA	
	C9192	QCZ0205-155Z	ML C CAPACITOR	1.5MF	
	C9193	QCZ0205-155Z	ML C CAPACITOR	1.5MF	
	C9195	QCZ0205-155Z	ML C CAPACITOR	1.5MF	
	C9501	QCS31HJ-101Z	C CAPACITOR	100PF 5% 50V	
	C9502	QEMS1CM-827	E CAPACITOR	820MF 20% 16V	
	C9503	QTE1C28-227Z	E CAPACITOR		
	C9504	QFVJ1HJ-104Z	MF CAPACITOR	.10MF 5% 50V	
	C9505	QCZ0205-155Z	ML C CAPACITOR	1.5MF	
	C9506	QTE1C28-227Z	E CAPACITOR		
	C9507	QFVJ1HJ-104Z	MF CAPACITOR	.10MF 5% 50V	
	C9701	QCZ0205-155Z	ML C CAPACITOR	1.5MF	
	C9702	QCZ0205-155Z	ML C CAPACITOR	1.5MF	
	C9731	QCS31HJ-101Z	C CAPACITOR	100PF 5% 50V	
	C9732	QEMS1AM-108-E	E CAPACITOR	1000MF 20% 10V	
	C9733	QTE1A28-477Z	E CAPACITOR		
	C9734	QFVJ1HJ-104Z	MF CAPACITOR	.10MF 5% 50V	
	C9735	QFVJ1HJ-104Z	MF CAPACITOR	.10MF 5% 50V	
	C9736	QECN1AM-227Z	E CAPACITOR	220MF 20% 10V	
	C9741	QFVJ1HJ-104Z	MF CAPACITOR	.10MF 5% 50V	
	C9742	QFVJ1HJ-104Z	MF CAPACITOR	.10MF 5% 50V	
	C9743	QECN1AM-227Z	E CAPACITOR	220MF 20% 10V	
	C9753	QCS31HJ-101Z	C CAPACITOR	100PF 5% 50V	
	C9755	QEMS1AM-108-E	E CAPACITOR	1000MF 20% 10V	
	C9756	QTE1A28-477Z	E CAPACITOR		
	C9757	QFVJ1HJ-104Z	MF CAPACITOR	.10MF 5% 50V	
	C9758	QFVJ1HJ-104Z	MF CAPACITOR	.10MF 5% 50V	
	C9759	QECN1AM-227Z	E CAPACITOR	220MF 20% 10V	
	C9761	QFVJ1HJ-104Z	MF CAPACITOR	.10MF 5% 50V	
	C9762	QFVJ1HJ-104Z	MF CAPACITOR	.10MF 5% 50V	
	C9763	QECN1AM-227Z	E CAPACITOR	220MF 20% 10V	
	C9766	QFVJ1HJ-104Z	MF CAPACITOR	.10MF 5% 50V	
	C9767	QTMN1EM-227Z	E CAPACITOR		
	C9771	QFVJ1HJ-104Z	MF CAPACITOR	.10MF 5% 50V	
	C9772	QFVJ1HJ-104Z	MF CAPACITOR	.10MF 5% 50V	

△	Item	Parts number	Parts name	Remarks	Area
	C9773	QETN0JM-108Z	E CAPACITOR	1000MF 20% 6.3V	
	C9791	QCS31HJ-101Z	C CAPACITOR	100PF 5% 50V	
	C9792	QEMS1CM-827	E CAPACITOR	820MF 20% 16V	
	C9793	QTE1C28-227Z	E CAPACITOR		
	C9794	QCZ0205-155Z	ML C CAPACITOR	1.5MF	
	C9851	QCS31HJ-101Z	C CAPACITOR	100PF 5% 50V	
	C9852	QCS32HJ-101Z	C CAPACITOR	100PF 5% 500V	
	C9860	QEMU1AM-107Z-E	E CAPACITOR	100MF 20% 10V	
	C9861	QCZ0205-155Z	ML C CAPACITOR	1.5MF	
	C9862	QTE1H28-226Z	E CAPACITOR		
	C9863	QEMU1HM-396Z	E CAPACITOR	39MF 20% 50V	
	C9864	QTE1H28-226Z	E CAPACITOR		
	C9865	QDVB1EZ-223Y	C CAPACITOR		
△	C9902	QFZ9040-683	M CAPACITOR	.068MF	
△	C9904	QCZ9079-102	C CAPACITOR	1000PF	
△	C9905	QCZ9079-102	C CAPACITOR	1000PF	
△	C9906	QCZ9079-102	C CAPACITOR	1000PF	
△	C9907	QEZ0374-826	E.CAPACITOR	82MF	
	C9908	QCZ0136-332Z	C CAPACITOR	3300PF	
	C9909	QCZ0136-101Z	C CAPACITOR	100PF	
	C9910	QCS31HJ-221Z	C CAPACITOR	220PF 5% 50V	
	C9913	QCZ0136-221Z	C CAPACITOR	220PF	
	C9914	QEMU1EM-396Z	E CAPACITOR	39MF 20% 25V	
	C9915	QCB1HK-471Y	C CAPACITOR	470PF 10% 50V	
△	C9916	QCZ9079-332	C CAPACITOR	3300PF	
	C9918	QCFB1HZ-104Y	C CAPACITOR	.10MF +80:-20%	
	C9921	QEZ0374-826	E.CAPACITOR	82MF	
	C9992	QTE1H28-474Z	E CAPACITOR		
	C9993	QCS31HJ-101Z	C CAPACITOR	100PF 5% 50V	
	D1801	QLF0072-001	FL TUBE		
	D8001	SLR-342VC-T	LED	STANDBY	
	D8002	SELU2E10C	LED	AUDIO	
	D8003	SLR-342DC-T	LED I.M	K2	
	D8004	SLR-342DC-T	LED I.M	FLOFF	
	D8101	1SS133-T2	SI DIODE		
	D8102	1SS133-T2	SI DIODE		
	D8103	1SS133-T2	SI DIODE		
△	D9501	ERA18-04-T1	FR DIODE		
△	D9731	FMB-24	FUSEIODE		
△	D9753	FMB-24	FUSEIODE		
	D9766	1SS133-T2	SI DIODE		
△	D9791	ERA18-04-T1	FR DIODE		
	D9850	MTZJ36C-T2	Z.DIODE I.M		
△	D9851	ERA18-04-T1	FR DIODE		
△	D9852	ERA18-04-T1	FR DIODE		
	D9860	MTZJ3.0B-T2	Z.DIODE I.M		
△	D9901	S1WB/A/60-4101	BRIDGE DIODE		
△	D9902	ERA18-04-T1	FR DIODE		
△	D9903	ERA18-04-T1	FR DIODE		
△	D9904	ERA18-04-T1	FR DIODE		
△	D9908	ERA18-04-T1	FR DIODE		
△	D9910	ERA18-04-T1	FR DIODE		
	D9911	1SS133-T2	SI DIODE		
	D9991	MTZJ5.1C-T2	ZENER DIODE		
	EP951	QNZ0136-001Z	EARTH PLATE		
	EP971	QNZ0136-001Z	EARTH PLATE		
	EP991	QNZ0136-001Z	EARTH PLATE		
	FW801	WJK0090-001A	E-SI C WIRE C-B		
	FW802	QUM026-08Z3Z3	PARA RIBON WIRE	TO FW8003	
	HS961	LE40505-001A	HEAT SINK		
	IC801	GP1U281X	IC		
	IC802	M66004SP	FL DRIVER IC		
	IC915	TC74HC08AP	IC		
	IC916	TC74HCT08AP	IC		

Electrical parts list (Power supply & FL display board)

Block No. 01

Item	Parts number	Parts name	Remarks	Area
IC931	PQ3RD13	IC		
IC941	PQ3RD13	IC		
IC951	PQ09RD11	IC		
IC961	PQ3RD23	IC		
IC971	LM2940CT-5.0	IC		
IC972	PQ05RD21	IC		
IC991	STR-F6652	IC		
J9101	GP1F32T	OPTICAL JACK		
J9151	QNN0336-001	PIN JACK		
K9151	QQR0601-001Z	FERRITE BEADS		
K9501	QQR0601-001Z	FERRITE BEADS		
K9731	QQR0601-001Z	FERRITE BEADS		
K9751	QQR0601-001Z	FERRITE BEADS		
K9791	QQR0601-001Z	FERRITE BEADS		
K9851	QQR0601-001Z	FERRITE BEADS		
K9902	QQR0601-001Z	FERRITE BEADS		
L9101	QQL121K-560Y	INDUCTOR I.M		
L9501	QQL31AK-101Z	INDUCTOR		
L9731	QQL31AK-101Z	INDUCTOR		
L9752	QQL31AK-101Z	INDUCTOR		
L9791	QQL31AK-101Z	INDUCTOR		
L9851	QQL01BK-R22Z	I0COIL		
L9901	QQR0894-001	LINE FILTER		
PC991	PC123FY	IC(PHOTO COUPLE		
PC992	PC123FY	IC(PHOTO COUPLE		
Q8001	DTC114YSA-T	D.TR.I.M		
Q8002	DTC114YSA-T	D.TR.I.M		
Q8003	DTA114YSA-T	D.TR.I.M		
Q8004	DTA114YSA-T	D.TR.I.M		
Q9766	2SB1565/EF/	TRANSISTOR		
Q9767	2SC1740S/RS-T	TRANSISTOR		
Q9851	2SC2060/QR-T	TRANSISTOR		
Q9852	DTA144WSA-T	D.TR.I.M		
Q9853	2SA933S/RS-T	TRANSISTOR		
Q9991	2SC1740S/RS-T	TRANSISTOR		
R8001	QRE141J-331Y	C RESISTOR	330 5% 1/4W	
R8002	QRE141J-181Y	C RESISTOR	180 5% 1/4W	
R8003	QRE141J-221Y	C RESISTOR	220 5% 1/4W	
R8004	QRE141J-221Y	C RESISTOR	220 5% 1/4W	
R8011	QRE141J-103Y	C RESISTOR	10K 5% 1/4W	
R8201	QRE141J-472Y	C RESISTOR	4.7K 5% 1/4W	
R8202	QRE141J-472Y	C RESISTOR	4.7K 5% 1/4W	
R8203	QRE141J-472Y	C RESISTOR	4.7K 5% 1/4W	
R8402	QRE141J-273Y	C RESISTOR	27K 5% 1/4W	
R8405	QRE141J-102Y	C RESISTOR	1.0K 5% 1/4W	
R8406	QRE141J-102Y	C RESISTOR	1.0K 5% 1/4W	
R8407	QRE141J-102Y	C RESISTOR	1.0K 5% 1/4W	
R8408	QRE141J-102Y	C RESISTOR	1.0K 5% 1/4W	
R9101	QRE141J-101Y	C RESISTOR	100 5% 1/4W	
R9152	QRE141J-151Y	C RESISTOR	150 5% 1/4W	
R9153	QRE141J-100Y	C RESISTOR	10 5% 1/4W	
R9154	QRE141J-750Y	C RESISTOR	75 5% 1/4W	
R9766	QRE141J-470Y	C RESISTOR	47 5% 1/4W	
R9767	QRE141J-272Y	C RESISTOR	2.7K 5% 1/4W	
R9851	QRJ146J-1R0X	UNF C.RES 1/M	1.0 5% 1/4W	
R9852	QRE141J-103Y	C RESISTOR	10K 5% 1/4W	
R9853	QRE141J-103Y	C RESISTOR	10K 5% 1/4W	
R9854	QRZ9006-4R7X	F RESISTOR	4.7 1/0W	
R9855	QRE141J-223Y	C RESISTOR	22K 5% 1/4W	
R9856	QRE141J-102Y	C RESISTOR	1.0K 5% 1/4W	
R9901	QRL01DJ-683X	OMF RESISTOR	68K 5% 1/1W	
R9903	QRE141J-270Y	C RESISTOR	27 5% 1/4W	
R9904	QRE141J-222Y	C RESISTOR	2.2K 5% 1/4W	
R9905	QRL027J-683	OMF RESISTOR	68K 5% 1/2W	

Item	Parts number	Parts name	Remarks	Area
R9906	QRE141J-681Y	C RESISTOR	680 5% 1/4W	
R9907	QRT022J-R47	OMF RESISTOR	5% 1/2W	
R9908	QRE141J-332Y	C RESISTOR	3.3K 5% 1/4W	
R9910	QRE141J-754Y	C RESISTOR	750K 5% 1/4W	
R9911	QRE141J-754Y	C RESISTOR	750K 5% 1/4W	
R9921	QRE141J-221Y	C RESISTOR	220 5% 1/4W	
R9960	QRE141J-101Y	C RESISTOR	100 5% 1/4W	
R9961	QRE141J-681Y	C RESISTOR	680 5% 1/4W	
R9963	QRE141G-101Y	C RESISTOR	100 1/4W	
R9965	QRE141G-103Y	C RESISTOR	10K 1/4W	
R9966	QRE141J-221Y	C RESISTOR	220 5% 1/4W	
S8201	QSW0683-001Z	PUSH SWITCH		
S8202	QSW0683-001Z	PUSH SWITCH		
S8203	QSW0683-001Z	PUSH SWITCH		
S8501	QSW0683-001Z	PUSH SWITCH		
S8502	QSW0683-001Z	PUSH SWITCH		
S8503	QSW0683-001Z	PUSH SWITCH		
S8504	QSW0683-001Z	PUSH SWITCH		
S8505	QSW0683-001Z	PUSH SWITCH		
S8506	QSW0683-001Z	PUSH SWITCH		
T9101	QQR0880-001	PULSE TRANS		
T9901	QQS0061-001	SW TRANS		
WC951	QZW0038-001	WIRE CLAMP		
WC952	QZW0038-001	WIRE CLAMP		



■ Electrical parts list (Audio board)

Block No. 02

△	Item	Parts number	Parts name	Remarks	Area	△	Item	Parts number	Parts name	Remarks	Area
	BB701	LE40212-002A	SHIELD PLATE	L-CH / R-CH			C7393	QFZ0157-470Z	PP CAPA I/M	47PF	
	CN653	QGB2510K2-04	CONNECTOR	SHIELD			C7394	QFZ0157-470Z	PP CAPA I/M	47PF	
	CN654	QGB2510K2-04	CONNECTOR	SHIELD			C7395	QFZ0157-681Z	PP CAPA I/M	680PF	
	CN721	QGA2501C1-02	2P CONNECTOR				C7396	QFZ0157-681Z	PP CAPA I/M	680PF	
	CN722	QGA2501C1-02	2P CONNECTOR				C7397	QTE1C47-477	E CAPACITOR		
	CN761	QGF1016C1-21	CONNECTOR				C7399	QTE1C47-477	E CAPACITOR		
	C7011	QCZ0205-155Z	ML C CAPACITOR	1.5MF			C7511	QCZ0205-155Z	ML C CAPACITOR	1.5MF	
	C7012	QCZ0205-155Z	ML C CAPACITOR	1.5MF			C7512	QCZ0205-155Z	ML C CAPACITOR	1.5MF	
	C7013	QEXL1AM-476	OS E CAPACITOR	47MF 20% 10V			C7513	QEXL1AM-476	OS E CAPACITOR	47MF 20% 10V	
	C7031	QCZ0205-155Z	ML C CAPACITOR	1.5MF			C7551	QFVJ1HJ-224Z	MF CAPACITOR	.22MF 5% 50V	
	C7032	QCZ0205-155Z	ML C CAPACITOR	1.5MF			C7552	QFVJ1HJ-103Z	MF CAPACITOR	.010MF 5% 50V	
	C7033	QER61AM-107Z	E CAPACITOR	100MF 20% 10V			C7561	QCZ0205-155Z	ML C CAPACITOR	1.5MF	
	C7201	QFVJ1HJ-224Z	MF CAPACITOR	.22MF 5% 50V			C7562	QCZ0205-155Z	ML C CAPACITOR	1.5MF	
	C7202	QFVJ1HJ-103Z	MF CAPACITOR	.010MF 5% 50V			C7563	QCZ0205-155Z	ML C CAPACITOR	1.5MF	
	C7211	QCZ0205-155Z	ML C CAPACITOR	1.5MF			C7564	QCZ0205-155Z	ML C CAPACITOR	1.5MF	
	C7212	QCZ0205-155Z	ML C CAPACITOR	1.5MF			C7566	QTE1C47-477	E CAPACITOR		
	C7213	QCZ0205-155Z	ML C CAPACITOR	1.5MF			C7567	QTE1C47-477	E CAPACITOR		
	C7214	QCZ0205-155Z	ML C CAPACITOR	1.5MF			C7568	QTE1C47-477	E CAPACITOR		
	C7216	QTE1C47-477	E CAPACITOR				C7570	QCZ0205-155Z	ML C CAPACITOR	1.5MF	
	C7217	QTE1C47-477	E CAPACITOR				C7575	QCZ0205-155Z	ML C CAPACITOR	1.5MF	
	C7218	QTE1C47-477	E CAPACITOR				C7580	QCZ0205-155Z	ML C CAPACITOR	1.5MF	
	C7241	QCB1HK-221Y	C CAPACITOR	220PF 10% 50V			C7585	QCZ0205-155Z	ML C CAPACITOR	1.5MF	
	C7251	QFVJ1HJ-224Z	MF CAPACITOR	.22MF 5% 50V			C7591	QCB1HK-221Y	C CAPACITOR	220PF 10% 50V	
	C7252	QFVJ1HJ-103Z	MF CAPACITOR	.010MF 5% 50V			C7599	QCZ0205-155Z	ML C CAPACITOR	1.5MF	
	C7261	QCZ0205-155Z	ML C CAPACITOR	1.5MF			C7601	QFZ0157-681Z	PP CAPA I/M	680PF	
	C7262	QCZ0205-155Z	ML C CAPACITOR	1.5MF			C7602	QFZ0157-681Z	PP CAPA I/M	680PF	
	C7263	QCZ0205-155Z	ML C CAPACITOR	1.5MF			C7611	QFZ0157-470Z	PP CAPA I/M	47PF	
	C7264	QCZ0205-155Z	ML C CAPACITOR	1.5MF			C7612	QFZ0157-470Z	PP CAPA I/M	47PF	
	C7266	QTE1C47-477	E CAPACITOR				C7615	QFZ0157-470Z	PP CAPA I/M	47PF	
	C7267	QTE1C47-477	E CAPACITOR				C7616	QFZ0157-470Z	PP CAPA I/M	47PF	
	C7268	QTE1C47-477	E CAPACITOR				C7619	QFZ0157-681Z	PP CAPA I/M	680PF	
	C7297	QCB1HK-221Y	C CAPACITOR	220PF 10% 50V			C7620	QFZ0157-681Z	PP CAPA I/M	680PF	
	C7301	QFZ0157-681Z	PP CAPA I/M	680PF			C7621	QFZ0160-222Z	PP CAPACITOR	2200PF	
	C7302	QFZ0157-681Z	PP CAPA I/M	680PF			C7622	QFZ0160-222Z	PP CAPACITOR	2200PF	
	C7311	QFZ0157-470Z	PP CAPA I/M	47PF			C7623	QFZ0160-122Z	P.P.CAPA I.M	1200PF	
	C7312	QFZ0157-470Z	PP CAPA I/M	47PF			C7624	QFZ0160-122Z	P.P.CAPA I.M	1200PF	
	C7315	QFZ0157-681Z	PP CAPA I/M	680PF			C7625	QFZ0160-103Z	PP CAPACITOR	.010MF	
	C7316	QFZ0157-681Z	PP CAPA I/M	680PF			C7626	QFZ0160-103Z	PP CAPACITOR	.010MF	
	C7318	QTE1C47-477	E CAPACITOR				C7637	QTE1C47-477	E CAPACITOR		
	C7320	QTE1C47-477	E CAPACITOR				C7638	QTE1C47-477	E CAPACITOR		
	C7321	QFZ0160-471Z	P.P.CAPA. I.M	470PF			C7639	QTE1C47-477	E CAPACITOR		
	C7322	QFZ0160-471Z	P.P.CAPA. I.M	470PF			C7640	QTE1C47-477	E CAPACITOR		
	C7323	QFZ0160-332Z	P.P.CAPA. I.M	3300PF			C7649	QTE1C47-477	E CAPACITOR		
	C7324	QFZ0160-332Z	P.P.CAPA. I.M	3300PF			C7650	QTE1C47-477	E CAPACITOR		
	C7325	QFZ0160-103Z	PP CAPACITOR	.010MF			C7661	QTE1E48-476Z	E CAPACITOR		
	C7326	QFZ0160-103Z	PP CAPACITOR	.010MF			C7662	QTE1E48-476Z	E CAPACITOR		
	C7337	QTE1E47-477	E CAPACITOR				C7663	QFZ0160-182Z	PP.CAPA I/M	1800PF	
	C7338	QTE1E47-477	E CAPACITOR				C7664	QFZ0160-182Z	PP.CAPA I/M	1800PF	
	C7339	QTE1E47-477	E CAPACITOR				C7751	QFVJ1HJ-224Z	MF CAPACITOR	.22MF 5% 50V	
	C7340	QTE1E47-477	E CAPACITOR				C7752	QFVJ1HJ-103Z	MF CAPACITOR	.010MF 5% 50V	
	C7347	QTE1E47-477	E CAPACITOR				C7761	QCZ0205-155Z	ML C CAPACITOR	1.5MF	
	C7348	QTE1E47-477	E CAPACITOR				C7762	QCZ0205-155Z	ML C CAPACITOR	1.5MF	
	C7349	QTE1E47-477	E CAPACITOR				C7763	QCZ0205-155Z	ML C CAPACITOR	1.5MF	
	C7350	QTE1E47-477	E CAPACITOR				C7764	QCZ0205-155Z	ML C CAPACITOR	1.5MF	
	C7361	QTE2A47-476	E CAPACITOR				C7766	QTE1C47-477	E CAPACITOR		
	C7362	QTE2A47-476	E CAPACITOR				C7767	QTE1C47-477	E CAPACITOR		
	C7363	QFZ0160-103Z	PP CAPACITOR	.010MF			C7768	QTE1J27-477	E CAPACITOR		
	C7364	QFZ0160-103Z	PP CAPACITOR	.010MF			C7791	QCB1HK-221Y	C CAPACITOR	220PF 10% 50V	
	C7380	QDVB1EZ-223Y	C CAPACITOR				C7801	QFZ0157-681Z	PP CAPA I/M	680PF	
	C7381	QFZ0157-681Z	PP CAPA I/M	680PF			C7802	QFZ0157-681Z	PP CAPA I/M	680PF	
	C7382	QFZ0157-681Z	PP CAPA I/M	680PF			C7811	QFZ0157-470Z	PP CAPA I/M	47PF	
	C7389	QCZ0205-155Z	ML C CAPACITOR	1.5MF			C7812	QFZ0157-470Z	PP CAPA I/M	47PF	
	C7391	QCZ0205-155Z	ML C CAPACITOR	1.5MF			C7815	QFZ0157-470Z	PP CAPA I/M	47PF	
	C7392	QCZ0205-155Z	ML C CAPACITOR	1.5MF			C7816	QFZ0157-470Z	PP CAPA I/M	47PF	

Electrical parts list (Audio board)

Block No. 02

Item	Parts number	Parts name	Remarks	Area	Item	Parts number	Parts name	Remarks	Area
C7819	QFZ0157-681Z	PP CAPA 1/M	680PF		K7762	QQR0601-001Z	FERRITE BEADS		
C7820	QFZ0157-681Z	PP CAPA 1/M	680PF		K7763	QQR0601-001Z	FERRITE BEADS		
C7821	QFZ0160-222Z	PP CAPACITOR	2200PF		K7764	QQR0601-001Z	FERRITE BEADS		
C7822	QFZ0160-222Z	PP CAPACITOR	2200PF		K7769	QQR0601-001Z	FERRITE BEADS		
C7823	QFZ0160-122Z	P.P.CAPA 1.M	1200PF		Q7291	2SC1740S/RS/-T	TRANSISTOR		
C7824	QFZ0160-122Z	P.P.CAPA 1.M	1200PF		Q7292	2SC1740S/RS/-T	TRANSISTOR		
C7825	QFZ0160-103Z	PP CAPACITOR	.010MF		Q7293	DTC144ESA-T	D.TR.I.M		
C7826	QFVJ1HJ-103Z	MF CAPACITOR	.010MF 5% 50V		Q7331	2SD1302/ST/-T	TRANSISTOR		
C7837	QTE1C47-477	E CAPACITOR			Q7332	2SD1302/ST/-T	TRANSISTOR		
C7838	QTE1J27-477	E CAPACITOR			Q7335	2SA933/RS/-T	TRANSISTOR		
C7839	QTE1C47-477	E CAPACITOR			Q7336	2SA933/RS/-T	TRANSISTOR		
C7840	QTE1J27-477	E CAPACITOR			Q7631	2SD1302/ST/-T	TRANSISTOR		
C7849	QTE1C47-477	E CAPACITOR			Q7632	2SD1302/ST/-T	TRANSISTOR		
C7850	QTE1C47-477	E CAPACITOR			Q7633	DTA114ESA-T	DIGITAL TR TAPE		
C7861	QTE1E48-476Z	E CAPACITOR			Q7634	DTA114ESA-T	DIGITAL TR TAPE		
C7862	QTE1J28-476Z	E CAPACITOR			Q7651	2SD1302/ST/-T	TRANSISTOR		
C7863	QFZ0160-182Z	PP.CAPA 1/M	1800PF		Q7652	2SD1302/ST/-T	TRANSISTOR		
C7864	QFZ0160-182Z	PP.CAPA 1/M	1800PF		Q7653	DTA114ESA-T	DIGITAL TR TAPE		
D7291	1SS133-T2	SI DIODE			Q7654	DTA114ESA-T	DIGITAL TR TAPE		
D7292	1SS133-T2	SI DIODE			Q7667	2SD1302/ST/-T	TRANSISTOR	MUTE	
D7667	1SS133-T2	SI DIODE			Q7668	2SD1302/ST/-T	TRANSISTOR	MUTE	
D7668	1SS133-T2	SI DIODE			Q7669	DTA114ESA-T	DIGITAL TR TAPE		
D7669	1SS133-T2	SI DIODE			Q7670	DTA114ESA-T	DIGITAL TR TAPE		
D7670	1SS133-T2	SI DIODE			Q7831	2SD1302/ST/-T	TRANSISTOR		
D7867	1SS133-T2	SI DIODE			Q7832	2SD1302/ST/-T	TRANSISTOR		
D7868	1SS133-T2	SI DIODE			Q7833	DTA114ESA-T	DIGITAL TR TAPE		
D7869	1SS133-T2	SI DIODE			Q7834	DTA114ESA-T	DIGITAL TR TAPE		
D7870	1SS133-T2	SI DIODE			Q7851	2SD1302/ST/-T	TRANSISTOR		
FW701	WJK0093-001A	E-SI C WIRE C-B			Q7852	2SD1302/ST/-T	TRANSISTOR		
FW731	WJK0073-001A	E-SI C WIRE C-B			Q7853	DTA114ESA-T	DIGITAL TR TAPE		
FW732	WJK0073-001A	E-SI C WIRE C-B			Q7854	DTA114ESA-T	DIGITAL TR TAPE		
FW741	WJK0078-001A	E-SI C WIRE C-B			Q7867	2SD1302/ST/-T	TRANSISTOR	MUTE	
FW751	WJK0092-001A	E-SI C WIRE C-B			Q7868	2SD1302/ST/-T	TRANSISTOR	MUTE	
IC701	NJM78M05FA	IC	D5V		Q7869	DTA114ESA-T	DIGITAL TR TAPE		
IC703	UPC78L06J-T	IC	6V		Q7870	DTA114ESA-T	DIGITAL TR TAPE		
IC730	MN35505	IC			RY731	QSK0105-001	RELAY		
IC731	NJM5534D-D	IC			RY732	QSK0105-001	RELAY		
IC732	NJM5534D-D	IC			R7001	QRZ9006-4R7X	F RESISTOR	4.7 1/0W	
IC733	OPA134PA	IC			R7201	QRE141J-332Y	C RESISTOR	3.3K 5% 1/4W	
IC734	OPA134PA	IC			R7211	QRE141J-470Y	C RESISTOR	47 5% 1/4W	
IC735	NJM5532D-D	IC			R7212	QRE141J-470Y	C RESISTOR	47 5% 1/4W	
IC736	NJM5532D-D	IC			R7213	QRE141J-470Y	C RESISTOR	47 5% 1/4W	
IC739	MN35505	IC			R7214	QRE141J-470Y	C RESISTOR	47 5% 1/4W	
IC751	NJM78L05A-T	IC 1.M			R7231	QRE141J-221Y	C RESISTOR	220 5% 1/4W	
IC760	MN35505	IC	SURROUND DAC		R7232	QRE141J-221Y	C RESISTOR	220 5% 1/4W	
IC761	NJM5532D-D	IC			R7233	QRE141J-221Y	C RESISTOR	220 5% 1/4W	
IC762	NJM5532D-D	IC			R7241	QRE141J-102Y	C RESISTOR	1.0K 5% 1/4W	
IC763	NJM5532D-D	IC			R7242	QRE141J-102Y	C RESISTOR	1.0K 5% 1/4W	
IC780	MN35505	IC	CENTER DAC		R7243	QRE141J-102Y	C RESISTOR	1.0K 5% 1/4W	
IC781	NJM5532D-D	IC			R7251	QRE141J-332Y	C RESISTOR	3.3K 5% 1/4W	
IC782	NJM5532D-D	IC			R7261	QRE141J-470Y	C RESISTOR	47 5% 1/4W	
IC783	NJM5532D-D	IC			R7262	QRE141J-470Y	C RESISTOR	47 5% 1/4W	
J 760	QNN0340-001	PIN JACK			R7263	QRE141J-470Y	C RESISTOR	47 5% 1/4W	
J 780	QNN0339-001	PIN JACK			R7264	QRE141J-470Y	C RESISTOR	47 5% 1/4W	
K7212	QQR0601-001Z	FERRITE BEADS			R7281	QRE141J-473Y	C RESISTOR	47K 5% 1/4W	
K7213	QQR0601-001Z	FERRITE BEADS			R7282	QRE141J-473Y	C RESISTOR	47K 5% 1/4W	
K7219	QQR0601-001Z	FERRITE BEADS			R7283	QRE141J-473Y	C RESISTOR	47K 5% 1/4W	
K7262	QQR0601-001Z	FERRITE BEADS			R7284	QRE141J-473Y	C RESISTOR	47K 5% 1/4W	
K7263	QQR0601-001Z	FERRITE BEADS			R7287	QRE141J-221Y	C RESISTOR	220 5% 1/4W	
K7269	QQR0601-001Z	FERRITE BEADS			R7288	QRE141J-221Y	C RESISTOR	220 5% 1/4W	
K7562	QQR0601-001Z	FERRITE BEADS			R7289	QRE141J-221Y	C RESISTOR	220 5% 1/4W	
K7563	QQR0601-001Z	FERRITE BEADS			R7291	QRE141J-103Y	C RESISTOR	10K 5% 1/4W	
K7564	QQR0601-001Z	FERRITE BEADS			R7292	QRE141J-473Y	C RESISTOR	47K 5% 1/4W	
K7569	QQR0601-001Z	FERRITE BEADS			R7293	QRE141J-103Y	C RESISTOR	10K 5% 1/4W	

■ Electrical parts list (Audio board)

Block No. 02

△	Item	Parts number	Parts name	Remarks	Area	△	Item	Parts number	Parts name	Remarks	Area
	R7297	QRE141J-102Y	C RESISTOR	1.0K 5% 1/4W			R7399	QRE141J-101Y	C RESISTOR	100 5% 1/4W	
	R7298	QRE141J-102Y	C RESISTOR	1.0K 5% 1/4W			R7501	QRZ9005-100X	F.RES 1M	10 1/0W	
	R7299	QRE141J-102Y	C RESISTOR	1.0K 5% 1/4W			R7551	QRE141J-332Y	C RESISTOR	3.3K 5% 1/4W	
	R7301	QRA14CF-1802Y	M.F.RESISTOR	18 1/4W			R7561	QRE141J-470Y	C RESISTOR	47 5% 1/4W	
	R7302	QRA14CF-1802Y	M.F.RESISTOR	18 1/4W			R7562	QRE141J-470Y	C RESISTOR	47 5% 1/4W	
	R7303	QRA14CF-3902Y	M.F.RESISTOR	39 1/4W			R7563	QRE141J-470Y	C RESISTOR	47 5% 1/4W	
	R7305	QRA14CF-1802Y	M.F.RESISTOR	18 1/4W			R7564	QRE141J-470Y	C RESISTOR	47 5% 1/4W	
	R7306	QRA14CF-1802Y	M.F.RESISTOR	18 1/4W			R7565	QRE141J-470Y	C RESISTOR	47 5% 1/4W	
	R7307	QRA14CF-1802Y	M.F.RESISTOR	18 1/4W			R7581	QRE141J-471Y	C RESISTOR	470 5% 1/4W	
	R7308	QRA14CF-1802Y	M.F.RESISTOR	18 1/4W			R7582	QRE141J-471Y	C RESISTOR	470 5% 1/4W	
	R7309	QRA14CF-3902Y	M.F.RESISTOR	39 1/4W			R7583	QRE141J-221Y	C RESISTOR	220 5% 1/4W	
	R7310	QRA14CF-3902Y	M.F.RESISTOR	39 1/4W			R7591	QRE141J-561Y	C RESISTOR	560 5% 1/4W	
	R7311	QRA14CF-2401Y	M.F.RESISTOR	24 1/4W			R7592	QRE141J-561Y	C RESISTOR	560 5% 1/4W	
	R7312	QRA14CF-2401Y	M.F.RESISTOR	24 1/4W			R7593	QRE141J-561Y	C RESISTOR	560 5% 1/4W	
	R7313	QRZ0128-362Y	C RESISTOR	3.6K 1/1W			R7601	QRE141J-333Y	C RESISTOR	33K 5% 1/4W	
	R7314	QRZ0128-362Y	C RESISTOR	3.6K 1/1W			R7602	QRE141J-333Y	C RESISTOR	33K 5% 1/4W	
	R7315	QRZ0128-102Y	C RESISTOR	1.0K 1/1W			R7603	QRE141J-333Y	C RESISTOR	33K 5% 1/4W	
	R7316	QRZ0128-102Y	C RESISTOR	1.0K 1/1W			R7604	QRE141J-333Y	C RESISTOR	33K 5% 1/4W	
	R7318	QRE141J-101Y	C RESISTOR	100 5% 1/4W			R7605	QRA14CF-1802Y	M.F.RESISTOR	18 1/4W	
	R7320	QRE141J-101Y	C RESISTOR	100 5% 1/4W			R7606	QRA14CF-1802Y	M.F.RESISTOR	18 1/4W	
	R7321	QRZ0129-561Y	C RESISTOR	560 1/1W			R7607	QRA14CF-1802Y	M.F.RESISTOR	18 1/4W	
	R7322	QRZ0129-561Y	C RESISTOR	560 1/1W			R7608	QRA14CF-1802Y	M.F.RESISTOR	18 1/4W	
	R7323	QRZ0129-561Y	C RESISTOR	560 1/1W			R7609	QRA14CF-1802Y	M.F.RESISTOR	18 1/4W	
	R7324	QRZ0129-561Y	C RESISTOR	560 1/1W			R7610	QRA14CF-1802Y	M.F.RESISTOR	18 1/4W	
	R7325	QRZ0129-821Y	C RESISTOR	820 1/1W			R7611	QRA14CF-2702Y	M.F.RESISTOR	27 1/4W	
	R7326	QRZ0129-821Y	C RESISTOR	820 1/1W			R7612	QRA14CF-2702Y	M.F.RESISTOR	27 1/4W	
	R7327	QRE141J-105Y	C RESISTOR	1.0M 5% 1/4W			R7613	QRA14CF-2001Y	MF.RES IM	20 1/4W	
	R7328	QRE141J-105Y	C RESISTOR	1.0M 5% 1/4W			R7614	QRA14CF-2001Y	MF.RES IM	20 1/4W	
	R7331	QRE141J-562Y	C RESISTOR	5.6K 5% 1/4W			R7615	QRA14CF-2702Y	M.F.RESISTOR	27 1/4W	
	R7332	QRE141J-562Y	C RESISTOR	5.6K 5% 1/4W			R7616	QRA14CF-2702Y	M.F.RESISTOR	27 1/4W	
	R7333	QRE141J-474Y	C RESISTOR	470K 5% 1/4W			R7617	QRA14CF-2001Y	MF.RES IM	20 1/4W	
	R7334	QRE141J-474Y	C RESISTOR	470K 5% 1/4W			R7618	QRA14CF-2001Y	MF.RES IM	20 1/4W	
	R7337	QRZ0129-101Y	C RESISTOR	100 1/1W			R7619	QRA14CF-1802Y	M.F.RESISTOR	18 1/4W	
	R7338	QRZ0129-101Y	C RESISTOR	100 1/1W			R7620	QRA14CF-1802Y	M.F.RESISTOR	18 1/4W	
	R7339	QRZ0129-101Y	C RESISTOR	100 1/1W			R7621	QRE141J-561Y	C RESISTOR	560 5% 1/4W	
	R7340	QRZ0129-101Y	C RESISTOR	100 1/1W			R7622	QRE141J-561Y	C RESISTOR	560 5% 1/4W	
	R7347	QRZ0129-101Y	C RESISTOR	100 1/1W			R7623	QRE141J-471Y	C RESISTOR	470 5% 1/4W	
	R7348	QRZ0129-101Y	C RESISTOR	100 1/1W			R7624	QRE141J-471Y	C RESISTOR	470 5% 1/4W	
	R7349	QRZ0129-101Y	C RESISTOR	100 1/1W			R7625	QRE141J-821Y	C RESISTOR	820 5% 1/4W	
	R7350	QRZ0129-101Y	C RESISTOR	100 1/1W			R7626	QRE141J-821Y	C RESISTOR	820 5% 1/4W	
	R7361	QRZ0129-273Y	C RESISTOR	27K 1/1W			R7627	QRE141J-105Y	C RESISTOR	1.0M 5% 1/4W	
	R7362	QRZ0129-273Y	C RESISTOR	27K 1/1W			R7628	QRE141J-105Y	C RESISTOR	1.0M 5% 1/4W	
	R7363	QRZ0129-121Y	C RESISTOR	120 1/1W			R7629	QRE141J-101Y	C RESISTOR	100 5% 1/4W	
	R7364	QRZ0129-121Y	C RESISTOR	120 1/1W			R7630	QRE141J-101Y	C RESISTOR	100 5% 1/4W	
	R7365	QRZ0129-470Y	C RESISTOR	47 1/1W			R7631	QRE141J-472Y	C RESISTOR	4.7K 5% 1/4W	
	R7366	QRZ0129-470Y	C RESISTOR	47 1/1W			R7632	QRE141J-472Y	C RESISTOR	4.7K 5% 1/4W	
	R7367	QRZ0129-104Y	C RESISTOR	100K 1/1W			R7633	QRE141J-474Y	C RESISTOR	470K 5% 1/4W	
	R7368	QRZ0129-104Y	C RESISTOR	100K 1/1W			R7634	QRE141J-474Y	C RESISTOR	470K 5% 1/4W	
	R7381	QRA14CF-1802Y	M.F.RESISTOR	18 1/4W			R7637	QRE141J-101Y	C RESISTOR	100 5% 1/4W	
	R7382	QRA14CF-1802Y	M.F.RESISTOR	18 1/4W			R7638	QRE141J-101Y	C RESISTOR	100 5% 1/4W	
	R7383	QRA14CF-3902Y	M.F.RESISTOR	39 1/4W			R7639	QRE141J-101Y	C RESISTOR	100 5% 1/4W	
	R7385	QRA14CF-1802Y	M.F.RESISTOR	18 1/4W			R7640	QRE141J-101Y	C RESISTOR	100 5% 1/4W	
	R7386	QRA14CF-1802Y	M.F.RESISTOR	18 1/4W			R7641	QRE141J-222Y	C RESISTOR	2.2K 5% 1/4W	
	R7387	QRA14CF-1802Y	M.F.RESISTOR	18 1/4W			R7642	QRE141J-222Y	C RESISTOR	2.2K 5% 1/4W	
	R7388	QRA14CF-1802Y	M.F.RESISTOR	18 1/4W			R7643	QRE141J-222Y	C RESISTOR	2.2K 5% 1/4W	
	R7389	QRA14CF-3902Y	M.F.RESISTOR	39 1/4W			R7644	QRE141J-222Y	C RESISTOR	2.2K 5% 1/4W	
	R7390	QRA14CF-3902Y	M.F.RESISTOR	39 1/4W			R7645	QRE141J-105Y	C RESISTOR	1.0M 5% 1/4W	
	R7391	QRA14CF-2401Y	M.F.RESISTOR	24 1/4W			R7646	QRE141J-105Y	C RESISTOR	1.0M 5% 1/4W	
	R7392	QRA14CF-2401Y	M.F.RESISTOR	24 1/4W			R7647	QRE141J-183Y	C RESISTOR	18K 5% 1/4W	
	R7393	QRZ0128-362Y	C RESISTOR	3.6K 1/1W			R7648	QRE141J-183Y	C RESISTOR	18K 5% 1/4W	
	R7394	QRZ0128-362Y	C RESISTOR	3.6K 1/1W			R7649	QRE141J-101Y	C RESISTOR	100 5% 1/4W	
	R7395	QRZ0128-102Y	C RESISTOR	1.0K 1/1W			R7650	QRE141J-101Y	C RESISTOR	100 5% 1/4W	
	R7396	QRZ0128-102Y	C RESISTOR	1.0K 1/1W			R7651	QRE141J-472Y	C RESISTOR	4.7K 5% 1/4W	
	R7397	QRE141J-101Y	C RESISTOR	100 5% 1/4W			R7652	QRE141J-472Y	C RESISTOR	4.7K 5% 1/4W	

■ Electrical parts list (Audio board)

Block No. 02

△	Item	Parts number	Parts name	Remarks	Area
	R7653	QRE141J-474Y	C RESISTOR	470K 5% 1/4W	
	R7654	QRE141J-474Y	C RESISTOR	470K 5% 1/4W	
	R7661	QRE141J-273Y	C RESISTOR	27K 5% 1/4W	
	R7662	QRE141J-273Y	C RESISTOR	27K 5% 1/4W	
	R7663	QRE141J-561Y	C RESISTOR	560 5% 1/4W	
	R7664	QRE141J-561Y	C RESISTOR	560 5% 1/4W	
	R7665	QRE141J-101Y	C RESISTOR	100 5% 1/4W	
	R7666	QRE141J-101Y	C RESISTOR	100 5% 1/4W	
	R7667	QRE141J-332Y	C RESISTOR	3.3K 5% 1/4W	
	R7668	QRE141J-332Y	C RESISTOR	3.3K 5% 1/4W	
	R7669	QRE141J-474Y	C RESISTOR	470K 5% 1/4W	
	R7670	QRE141J-474Y	C RESISTOR	470K 5% 1/4W	
	R7751	QRE141J-332Y	C RESISTOR	3.3K 5% 1/4W	
	R7761	QRE141J-470Y	C RESISTOR	47 5% 1/4W	
	R7762	QRE141J-470Y	C RESISTOR	47 5% 1/4W	
	R7763	QRE141J-470Y	C RESISTOR	47 5% 1/4W	
	R7764	QRE141J-470Y	C RESISTOR	47 5% 1/4W	
	R7765	QRE141J-470Y	C RESISTOR	47 5% 1/4W	
	R7781	QRE141J-471Y	C RESISTOR	470 5% 1/4W	
	R7782	QRE141J-471Y	C RESISTOR	470 5% 1/4W	
	R7783	QRE141J-221Y	C RESISTOR	220 5% 1/4W	
	R7791	QRE141J-561Y	C RESISTOR	560 5% 1/4W	
	R7792	QRE141J-561Y	C RESISTOR	560 5% 1/4W	
	R7793	QRE141J-561Y	C RESISTOR	560 5% 1/4W	
	R7801	QRE141J-333Y	C RESISTOR	33K 5% 1/4W	
	R7802	QRE141J-333Y	C RESISTOR	33K 5% 1/4W	
	R7803	QRE141J-333Y	C RESISTOR	33K 5% 1/4W	
	R7804	QRE141J-333Y	C RESISTOR	33K 5% 1/4W	
	R7805	QRA14CF-1802Y	M.F.RESISTOR	18 1/4W	
	R7806	QRA14CF-1802Y	M.F.RESISTOR	18 1/4W	
	R7807	QRA14CF-1802Y	M.F.RESISTOR	18 1/4W	
	R7808	QRA14CF-1802Y	M.F.RESISTOR	18 1/4W	
	R7809	QRA14CF-1802Y	M.F.RESISTOR	18 1/4W	
	R7810	QRA14CF-1802Y	M.F.RESISTOR	18 1/4W	
	R7811	QRA14CF-2702Y	M.F.RESISTOR	27 1/4W	
	R7812	QRA14CF-2702Y	M.F.RESISTOR	27 1/4W	
	R7813	QRA14CF-2001Y	MF.RES IM	20 1/4W	
	R7814	QRA14CF-2001Y	MF.RES IM	20 1/4W	
	R7815	QRA14CF-2702Y	M.F.RESISTOR	27 1/4W	
	R7816	QRA14CF-2702Y	M.F.RESISTOR	27 1/4W	
	R7817	QRA14CF-2001Y	MF.RES IM	20 1/4W	
	R7818	QRA14CF-2001Y	MF.RES IM	20 1/4W	
	R7819	QRA14CF-1802Y	M.F.RESISTOR	18 1/4W	
	R7820	QRA14CF-1802Y	M.F.RESISTOR	18 1/4W	
	R7821	QRE141J-561Y	C RESISTOR	560 5% 1/4W	
	R7822	QRE141J-561Y	C RESISTOR	560 5% 1/4W	
	R7823	QRE141J-471Y	C RESISTOR	470 5% 1/4W	
	R7824	QRE141J-471Y	C RESISTOR	470 5% 1/4W	
	R7825	QRE141J-821Y	C RESISTOR	820 5% 1/4W	
	R7826	QRE141J-821Y	C RESISTOR	820 5% 1/4W	
	R7827	QRE141J-105Y	C RESISTOR	1.0M 5% 1/4W	
	R7828	QRE141J-105Y	C RESISTOR	1.0M 5% 1/4W	
	R7829	QRE141J-101Y	C RESISTOR	100 5% 1/4W	
	R7830	QRE141J-101Y	C RESISTOR	100 5% 1/4W	
	R7831	QRE141J-472Y	C RESISTOR	4.7K 5% 1/4W	
	R7832	QRE141J-472Y	C RESISTOR	4.7K 5% 1/4W	
	R7833	QRE141J-474Y	C RESISTOR	470K 5% 1/4W	
	R7834	QRE141J-474Y	C RESISTOR	470K 5% 1/4W	
	R7837	QRE141J-101Y	C RESISTOR	100 5% 1/4W	
	R7838	QRE141J-101Y	C RESISTOR	100 5% 1/4W	
	R7839	QRE141J-101Y	C RESISTOR	100 5% 1/4W	
	R7840	QRE141J-101Y	C RESISTOR	100 5% 1/4W	
	R7841	QRE141J-222Y	C RESISTOR	2.2K 5% 1/4W	
	R7842	QRE141J-222Y	C RESISTOR	2.2K 5% 1/4W	

△	Item	Parts number	Parts name	Remarks	Area
	R7843	QRE141J-222Y	C RESISTOR	2.2K 5% 1/4W	
	R7844	QRE141J-222Y	C RESISTOR	2.2K 5% 1/4W	
	R7845	QRE141J-105Y	C RESISTOR	1.0M 5% 1/4W	
	R7846	QRE141J-105Y	C RESISTOR	1.0M 5% 1/4W	
	R7847	QRE141J-183Y	C RESISTOR	18K 5% 1/4W	
	R7848	QRE141J-183Y	C RESISTOR	18K 5% 1/4W	
	R7849	QRE141J-101Y	C RESISTOR	100 5% 1/4W	
	R7850	QRE141J-101Y	C RESISTOR	100 5% 1/4W	
	R7851	QRE141J-472Y	C RESISTOR	4.7K 5% 1/4W	
	R7852	QRE141J-472Y	C RESISTOR	4.7K 5% 1/4W	
	R7853	QRE141J-474Y	C RESISTOR	470K 5% 1/4W	
	R7854	QRE141J-474Y	C RESISTOR	470K 5% 1/4W	
	R7861	QRE141J-273Y	C RESISTOR	27K 5% 1/4W	
	R7862	QRE141J-273Y	C RESISTOR	27K 5% 1/4W	
	R7863	QRE141J-561Y	C RESISTOR	560 5% 1/4W	
	R7864	QRE141J-561Y	C RESISTOR	560 5% 1/4W	
	R7865	QRE141J-101Y	C RESISTOR	100 5% 1/4W	
	R7866	QRE141J-101Y	C RESISTOR	100 5% 1/4W	
	R7867	QRE141J-332Y	C RESISTOR	3.3K 5% 1/4W	
	R7868	QRE141J-332Y	C RESISTOR	3.3K 5% 1/4W	
	R7869	QRE141J-474Y	C RESISTOR	470K 5% 1/4W	
	R7870	QRE141J-474Y	C RESISTOR	470K 5% 1/4W	
	SP730	VYH7653-003	IC HOLDER	FOR IC730	
	SP739	VYH7653-003	IC HOLDER	FOR IC739	
	SP760	VYH7653-003	IC HOLDER	FOR IC760	
	SP780	VYH7653-003	IC HOLDER		
	WC711	QZW0038-001	WIRE CLAMP		
	WC761	QZW0038-001	WIRE CLAMP		
	W7001	QUB070-16PPPP	SIN TWIST WIRE	TO W7901	

■ Electrical parts list (K2 board)

Block No. 03

Item	Parts number	Parts name	Remarks	Area
CN711	QGF1016C1-21	CONNECTOR		
CN741	QGA2001C1-11	11P PLUG ASSY		
C7021	QCZ0205-155Z	ML C CAPACITOR	1.5MF	
C7022	QCZ0205-155Z	ML C CAPACITOR	1.5MF	
C7023	QEXC1CM-226Z	OS E CAPACITOR	22MF 20% 16V	
C7102	NCB21AK-105X	C CAPACITOR		
C7103	NCB31HK-682X	C CAPACITOR		
C7104	NCB31HK-101X	C CAPACITOR		
C7105	NCB31HK-101X	C CAPACITOR		
C7108	NCF21CZ-155X	C CAPACITOR		
C7110	QEXC1CM-226Z	OS E CAPACITOR	22MF 20% 16V	
C7112	QCZ0205-155Z	ML C CAPACITOR	1.5MF	
C7118	NCF21CZ-155X	C CAPACITOR		
C7126	NCF21CZ-155X	C CAPACITOR		
C7127	NCF21CZ-155X	C CAPACITOR		
C7134	NCF21CZ-155X	C CAPACITOR		
C7135	NCF21CZ-155X	C CAPACITOR		
C7136	NCF21CZ-155X	C CAPACITOR		
C7146	NCF21CZ-155X	C CAPACITOR		
C7158	NCF21CZ-155X	C CAPACITOR		
C7178	NCF21CZ-155X	C CAPACITOR		
C7188	NCF21CZ-155X	C CAPACITOR		
C7191	NCF21CZ-155X	C CAPACITOR		
C7198	NCB31HK-223X	C CAPACITOR		
C7401	NCF21CZ-155X	C CAPACITOR		
C7402	NCF21CZ-155X	C CAPACITOR		
C7403	NCF21CZ-155X	C CAPACITOR		
C7404	NCF21CZ-155X	C CAPACITOR		
C7405	NCF21CZ-155X	C CAPACITOR		
C7406	NCF21CZ-155X	C CAPACITOR		
C7407	NCF21CZ-155X	C CAPACITOR		
C7408	NCF21CZ-155X	C CAPACITOR		
C7409	NCF21CZ-155X	C CAPACITOR		
C7410	NCF21CZ-155X	C CAPACITOR		
C7411	NCF21CZ-155X	C CAPACITOR		
C7493	QCZ0205-155Z	ML C CAPACITOR	1.5MF	
C7495	QCZ0205-155Z	ML C CAPACITOR	1.5MF	
D7101	KV1555N-T	VARI CAPACITOR		
D7102	KV1555N-T	VARI CAPACITOR		
D7181	DAP202K-X	D.TR. C.M		
EP741	QNZ0136-001Z	EARTH PLATE		
EP744	QNZ0136-001Z	EARTH PLATE		
IC702	PQ3DZ53-X	IC		
IC711	TC5081BP	IC		
IC712	TC7SHU04FU-X	IC(DIGITAL)		
IC713	TC7WH74FU-X	IC		
IC714	TC3W03FU-X	IC		
IC715	TC74AC393FT-X	IC		
IC716	TC7WH74FU-X	IC		
IC717	TC7SH04FU-X	IC C.M		
IC721	TC74VHCT08AFT-X	IC		
IC722	TC74VHC08FT-X	IC		
IC723	TC74VHCT32AFT-X	IC(DIGITAL)		
IC724	TC7WH241FU-X	IC		
IC725	TC74VHC74FT-X	IC	OTASUKE PWB	
IC726	TC74VHC74FT-X	IC	OTASUKE PWB	
IC741	JCV8004	IC	EX-K2 VERSION2	
K7110	NQR0322-001X	EMI FILTER C.M		
K7111	QQR0601-001Z	FERRITE BEADS		
K7132	NQR0269-007X	FERRITE BEADS		
K7172	NQR0269-007X	FERRITE BEADS		
K7401	QQR0601-001Z	FERRITE BEADS		
L7111	NQL025J-R68X	P COIL		
L7150	NQL024J-4R7X	INDUCTOR CM		

Item	Parts number	Parts name	Remarks	Area
L7160	NQL024J-4R7X	INDUCTOR CM		
L7180	NQL024J-4R7X	INDUCTOR CM		
Q7141	DTC124EKA-X	TRANSISTOR		
R7076	NRSA63J-101X	MG RESISTOR		
R7077	NRSA63J-101X	MG RESISTOR		
R7078	NRSA63J-101X	MG RESISTOR		
R7101	NRSA63J-273X	MG RESISTOR		
R7102	NRSA63J-272X	MG RESISTOR		
R7111	NRSA63J-104X	MG RESISTOR		
R7112	NRSA63J-104X	MG RESISTOR		
R7113	NRSA63J-104X	MG RESISTOR		
R7114	NRSA63J-104X	MG RESISTOR		
R7115	NRSA63J-560X	MG RESISTOR		
R7121	NRSA63J-151X	MG RESISTOR		
R7122	NRSA63J-221X	MG RESISTOR		
R7133	NRSA63J-0R0X	MG RESISTOR		
R7141	NRSA63J-101X	MG RESISTOR		
R7142	NRSA63J-101X	MG RESISTOR		
R7143	NRSA63J-560X	MG RESISTOR		
R7149	NRSA63J-103X	MG RESISTOR		
R7151	NRSA63J-221X	MG RESISTOR		
R7152	NRSA63J-330X	MG RESISTOR		
R7153	NRSA63J-560X	MG RESISTOR		
R7154	NRSA63J-560X	MG RESISTOR		
R7171	NRSA63J-101X	MG RESISTOR		
R7173	NRSA63J-101X	MG RESISTOR		
R7181	NRSA63J-104X	MG RESISTOR		
R7182	NRSA63J-101X	MG RESISTOR		
R7295	NRSA63J-0R0X	MG RESISTOR		
R7335	NRSA63J-0R0X	MG RESISTOR		
R7401	NRSA63J-0R0X	MG RESISTOR		
R7402	NRSA63J-0R0X	MG RESISTOR		
R7403	NRSA63J-0R0X	MG RESISTOR		
R7404	NRSA63J-0R0X	MG RESISTOR		
R7405	NRSA63J-0R0X	MG RESISTOR		

■ Electrical parts list (Video board)

Block No. 04

△	Item	Parts number	Parts name	Remarks	Area
	CN601	QGA2501C1-03	3P CONNECTOR	TO POWER	
	CN602	WJP0013-001A	E-SH C WIRE C-B	TO MAIN	
	CN691	QGA3901C1-03	3P CONNECTOR		
	CN692	QGA3901C1-02	CONNECTOR		
	CN693	QGB2510J1-06	CONNECTOR	K2 DAC REG CONN	
	CN694	QGB2510K2-06	CONNECTOR		
	CN695	QGA2501C1-07	7P CONNECTOR	FOR FRONT AUDIO	
	CN696	QGA2501F1-03	CONNECTOR	FRONT AUDIO DAC	
	CN697	QGA2501F1-08	CONNECTOR	REAR AUDIO	
	CN999	WJK0089-001A	E-SI C WIRE C-B		
	C6001	QDX31EM-103Z	C.CAPA I.M		
	C6002	QDX31EM-103Z	C.CAPA I.M		
	C6003	QEMU1AM-107Z-E	E CAPACITOR	100MF 20% 10V	
	C6004	QEMS1AM-108-E	E CAPACITOR	1000MF 20% 10V	
	C6005	QEMU1AM-337Z-E	E CAPACITOR	330MF 20% 10V	
	C6101	QDX31EM-103Z	C.CAPA I.M		
	C6102	QDX31EM-103Z	C.CAPA I.M		
	C6103	QDX31EM-473Z	C.CAPACITOR		
	C6104	QDX31EM-473Z	C.CAPACITOR		
	C6105	QEMU1AM-107Z-E	E CAPACITOR	100MF 20% 10V	
	C6201	QDX31EM-103Z	C.CAPA I.M		
	C6202	QDX31EM-103Z	C.CAPA I.M		
	C6203	QEMU1AM-107Z-E	E CAPACITOR	100MF 20% 10V	
	C6204	QEMU1AM-107Z-E	E CAPACITOR	100MF 20% 10V	
	C6206	QEMS1AM-108-E	E CAPACITOR	1000MF 20% 10V	
	C6207	QEMU1AM-337Z-E	E CAPACITOR	330MF 20% 10V	
	C6208	QEMS1AM-108-E	E CAPACITOR	1000MF 20% 10V	
	C6209	QEMU1AM-337Z-E	E CAPACITOR	330MF 20% 10V	
	C6210	QEMU1AM-337Z-E	E CAPACITOR	330MF 20% 10V	
	C6301	QDX31EM-103Z	C.CAPA I.M		
	C6302	QDX31EM-103Z	C.CAPA I.M		
	C6303	QEMU1AM-107Z-E	E CAPACITOR	100MF 20% 10V	
	C6304	QEMU1AM-337Z-E	E CAPACITOR	330MF 20% 10V	
	C6305	QEMS1AM-108-E	E CAPACITOR	1000MF 20% 10V	
	C6306	QEMU0JM-227Z-E	E CAPACITOR	220MF 20% 6.3V	
	C6401	QDX31EM-103Z	C.CAPA I.M		
	C6402	QDX31EM-103Z	C.CAPA I.M		
	C6403	QEMU1AM-107Z-E	E CAPACITOR	100MF 20% 10V	
	C6404	QEMU1AM-337Z-E	E CAPACITOR	330MF 20% 10V	
	C6405	QEMS1AM-108-E	E CAPACITOR	1000MF 20% 10V	
	C6406	QEMU0JM-227Z-E	E CAPACITOR	220MF 20% 6.3V	
	C6801	QEMU1CM-566Z-E	E CAPACITOR	56MF 20% 16V	
	C6802	QDX31EM-473Z	C.CAPACITOR		
	C6851	QCZ0205-155Z	ML C CAPACITOR	1.5MF	
	C6852	QCZ0205-155Z	ML C CAPACITOR	1.5MF	
	C6853	QEMT1AM-228-E	CAPACITOR	2200MF 20% 10V	
	C6854	QEXC1AM-227Z	OS E CAPACITOR	220MF 20% 10V	
	C6855	QEMU1AM-107Z-E	E CAPACITOR	100MF 20% 10V	
	C6856	QDX31EM-473Z	C.CAPACITOR		
	C6857	QEMU1AM-107Z-E	E CAPACITOR	100MF 20% 10V	
	C6858	QDX31EM-473Z	C.CAPACITOR		
	C6859	QEMU1AM-107Z-E	E CAPACITOR	100MF 20% 10V	
	C6860	QDX31EM-473Z	C.CAPACITOR		
	C6861	QEMU1AM-107Z-E	E CAPACITOR	100MF 20% 10V	
	C6862	QDX31EM-473Z	C.CAPACITOR		
	C6863	QEMU1AM-107Z-E	E CAPACITOR	100MF 20% 10V	
	C6864	QDX31EM-473Z	C.CAPACITOR		
	C6865	QEMU1AM-107Z-E	E CAPACITOR	100MF 20% 10V	
	C6866	QDX31EM-473Z	C.CAPACITOR		
	C6867	QFVJ1HJ-104Z	MF CAPACITOR	.10MF 5% 50V	
△	C6900	QFZ9040-683	M CAPACITOR	.068MF	
	C6901	QFVJ1HJ-104Z	MF CAPACITOR	.10MF 5% 50V	
	C6902	QFVJ1HJ-104Z	MF CAPACITOR	.10MF 5% 50V	
	C6903	QFVJ1HJ-104Z	MF CAPACITOR	.10MF 5% 50V	

△	Item	Parts number	Parts name	Remarks	Area
	C6904	QFVJ1HJ-104Z	MF CAPACITOR	.10MF 5% 50V	
△	C6951	QEZ0503-338	E CAPACITOR	3300MF	
	C6952	QTE1H48-475Z	E CAPACITOR		
	C6953	QFZ0160-103Z	PP CAPACITOR	.010MF	
	C6954	QTE1E48-107Z	E CAPACITOR		
	C6955	QFVJ1HJ-104Z	MF CAPACITOR	.10MF 5% 50V	
△	C6961	QEZ0503-338	E CAPACITOR	3300MF	
	C6962	QTE1H48-475Z	E CAPACITOR		
	C6963	QFZ0160-103Z	PP CAPACITOR	.010MF	
	C6964	QTE1E48-107Z	E CAPACITOR		
	C6965	QFVJ1HJ-104Z	MF CAPACITOR	.10MF 5% 50V	
	C6971	QTE1C28-227Z	E CAPACITOR		
	C6972	QETN1CM-476Z	E CAPACITOR	47MF 20% 16V	
△	C6981	QTE1C43-338	E CAPACITOR		
	C6982	QFVJ1HJ-104Z	MF CAPACITOR	.10MF 5% 50V	
	C6983	QECN1AM-227Z	E CAPACITOR	220MF 20% 10V	
	C6984	QFVJ1HJ-104Z	MF CAPACITOR	.10MF 5% 50V	
	D6001	1SS133-T2	SI DIODE		
	D6002	1SS133-T2	SI DIODE		
	D6101	1SS133-T2	SI DIODE		
	D6102	1SS133-T2	SI DIODE		
	D6201	1SS133-T2	SI DIODE		
	D6202	1SS133-T2	SI DIODE		
	D6203	1SS133-T2	SI DIODE		
	D6204	1SS133-T2	SI DIODE		
	D6301	1SS133-T2	SI DIODE		
	D6302	1SS133-T2	SI DIODE		
	D6401	1SS133-T2	SI DIODE		
	D6402	1SS133-T2	SI DIODE		
△	D6951	F10KF20	DIODE		
△	D6952	F10KF20	DIODE		
	D6953	HZ15-1L-T2	Z.DIODE I.M		
△	D6961	F10KF20	DIODE		
△	D6962	F10KF20	DIODE		
	D6963	HZ15-1L-T2	Z.DIODE I.M		
	D6971	1SS133-T2	SI DIODE		
	D6972	1SS133-T2	SI DIODE		
	D6973	1SS133-T2	SI DIODE		
	HS695	E70306-003	HEAT SINK		
	HS696	E70306-003	HEAT SINK		
	IC601	CLC450AJP	IC	COMPOSITE AMP	
	IC611	CLC450AJP	IC	C AMP	
	IC621	CLC450AJP	IC	Y AMP	
	IC622	CLC450AJP	IC	Y/PY AMP	
	IC631	CLC450AJP	IC	CB/PB AMP	
	IC641	CLC450AJP	IC	CR/PR AMP	
	IC681	M52065P	IC		
△	IC685	PQ05RD11	IC		
△	IC691	S1VB20-F3	DIODE		
△	IC698	PQ09RD11	IC		
	J6101	QNN0337-001	PIN JACK	COMPOSITE OUT	
	J6201	QND0081-001	S JACK	S OUT	
	J6301	QNN0338-001	PIN JACK	COMPONENT Y	
	J6401	QNN0341-001	PIN JACK	COMPONENT PB/PR	
	K6851	QQR0601-001Z	FERRITE BEADS		
	K6852	QQR0601-001Z	FERRITE BEADS		
	L6001	QQR0713-001	NOISE FILTER	6MHZ LPF	
	L6101	QQR0783-001	BPF	3.58MHZ BPF	
	L6201	QQR0713-001	NOISE FILTER	6MHZ LPF	
	L6301	QQR0713-001	NOISE FILTER	RGB MODE	
	L6401	QQR0713-001	NOISE FILTER	RGB MODE	
△	L6901	QQR0894-001	LINE FILTER		
	PP691	QNZ0079-001Z	TAB I.M		
	PP692	QNZ0079-001Z	TAB I.M		

■ Electrical parts list (Video board)

Block No. 04

△	Item	Parts number	Parts name	Remarks	Area	△	Item	Parts number	Parts name	Remarks	Area
	Q6001	2SA933/RS/-T	TRANSISTOR				R6308	QRA14CF-75R0Y	MF.RES IM	1/4W	
	Q6002	2SA933/RS/-T	TRANSISTOR				R6309	QRE141J-472Y	C RESISTOR	4.7K 5% 1/4W	
	Q6101	2SA933/RS/-T	TRANSISTOR				R6310	QRE141J-472Y	C RESISTOR	4.7K 5% 1/4W	
	Q6201	2SA933/RS/-T	TRANSISTOR				R6311	QRA14CF-1001Y	M.F.RESISTOR	10 1/4W	
	Q6202	2SA933/RS/-T	TRANSISTOR				R6312	QRA14CF-3001Y	MF.RES IM	30 1/4W	
	Q6301	2SA933/RS/-T	TRANSISTOR				R6401	QRA14CF-1501Y	MF.RES IM	15 1/4W	
	Q6302	2SA933/RS/-T	TRANSISTOR				R6403	QRA14CF-1001Y	M.F.RESISTOR	10 1/4W	
	Q6401	2SA933/RS/-T	TRANSISTOR				R6404	QRE141J-102Y	C RESISTOR	1.0K 5% 1/4W	
	Q6402	2SA933/RS/-T	TRANSISTOR				R6405	QRE141J-102Y	C RESISTOR	1.0K 5% 1/4W	
△	Q6951	2SB544MP/EF/-T	TRANSISTOR				R6406	QRE141J-221Y	C RESISTOR	220 5% 1/4W	
	Q6952	2SC2001/LK/-T	TRANSISTOR				R6407	QRA14CF-1001Y	M.F.RESISTOR	10 1/4W	
	Q6953	2SK246/G/-T	TRANSISTOR(FET)				R6408	QRA14CF-75R0Y	MF.RES IM	1/4W	
△	Q6954	2SB649A/C/	TRANSISTOR				R6409	QRE141J-472Y	C RESISTOR	4.7K 5% 1/4W	
	Q6955	2SC2545/E/-T	TRANSISTOR				R6410	QRE141J-472Y	C RESISTOR	4.7K 5% 1/4W	
△	Q6961	2SD400MP/EF/-T	TRANSISTOR				R6411	QRA14CF-1001Y	M.F.RESISTOR	10 1/4W	
	Q6962	2SA952/LK/-T	TRANSISTOR				R6412	QRA14CF-3001Y	MF.RES IM	30 1/4W	
	Q6963	2SK246/G/-T	TRANSISTOR(FET)				R6901	QAD0109-R90Z	POG I.M		
△	Q6964	2SD669A/C/	TRANSISTOR			△	R6950	QRZ9005-100X	F.RES IM	10 1/0W	
	Q6965	2SA1084/E/-T	TRANSISTOR				R6951	QRE141J-332Y	C RESISTOR	3.3K 5% 1/4W	
	Q6971	2SA933S/RS/-T	TRANSISTOR				R6952	QRE141J-473Y	C RESISTOR	47K 5% 1/4W	
	R6001	QRA14CF-1201Y	M.F.RESISTOR	12 1/4W			R6953	QRE141J-153Y	C RESISTOR	15K 5% 1/4W	
	R6003	QRA14CF-1001Y	M.F.RESISTOR	10 1/4W			R6954	QRE141J-472Y	C RESISTOR	4.7K 5% 1/4W	
	R6004	QRE141J-102Y	C RESISTOR	1.0K 5% 1/4W			R6955	QRZ0129-272Y	C RESISTOR	2.7K 1/1W	
	R6005	QRE141J-102Y	C RESISTOR	1.0K 5% 1/4W			R6956	QRZ0189-121X	C RESISTOR	120 1/1W	
	R6006	QRE141J-221Y	C RESISTOR	220 5% 1/4W			R6957	QRZ0189-220X	C RESISTOR	22 1/1W	
	R6007	QRA14CF-1001Y	M.F.RESISTOR	10 1/4W			R6958	QRZ0189-821X	C RESISTOR	820 1/1W	
	R6008	QRA14CF-75R0Y	MF.RES IM	1/4W		△	R6960	QRZ9005-100X	F.RES IM	10 1/0W	
	R6009	QRE141J-472Y	C RESISTOR	4.7K 5% 1/4W			R6961	QRE141J-392Y	C RESISTOR	3.9K 5% 1/4W	
	R6010	QRE141J-472Y	C RESISTOR	4.7K 5% 1/4W			R6962	QRE141J-473Y	C RESISTOR	47K 5% 1/4W	
	R6011	QRA14CF-1001Y	M.F.RESISTOR	10 1/4W			R6963	QRE141J-153Y	C RESISTOR	15K 5% 1/4W	
	R6012	QRA14CF-3001Y	MF.RES IM	30 1/4W			R6964	QRE141J-472Y	C RESISTOR	4.7K 5% 1/4W	
	R6101	QRA14CF-1001Y	M.F.RESISTOR	10 1/4W			R6965	QRZ0129-272Y	C RESISTOR	2.7K 1/1W	
	R6103	QRA14CF-1001Y	M.F.RESISTOR	10 1/4W			R6966	QRZ0189-121X	C RESISTOR	120 1/1W	
	R6104	QRE141J-102Y	C RESISTOR	1.0K 5% 1/4W			R6967	QRZ0189-220X	C RESISTOR	22 1/1W	
	R6105	QRE141J-102Y	C RESISTOR	1.0K 5% 1/4W			R6968	QRZ0189-821X	C RESISTOR	820 1/1W	
	R6106	QRE141J-0R0Y	C RESISTOR	5% 1/4W			R6971	QRE141J-221Y	C RESISTOR	220 5% 1/4W	
	R6109	QRA14CF-75R0Y	MF.RES IM	1/4W			R6972	QRE141J-222Y	C RESISTOR	2.2K 5% 1/4W	
	R6110	QRE141J-0R0Y	C RESISTOR	5% 1/4W			R6973	QRE141J-153Y	C RESISTOR	15K 5% 1/4W	
	R6111	QRE141J-472Y	C RESISTOR	4.7K 5% 1/4W			R6974	QRE141J-152Y	C RESISTOR	1.5K 5% 1/4W	
	R6112	QRE141J-472Y	C RESISTOR	4.7K 5% 1/4W			WC692	QZW0038-001	WIRE CLAMP		
	R6113	QRA14CF-1001Y	M.F.RESISTOR	10 1/4W			WC693	QZW0038-001	WIRE CLAMP		
	R6114	QRA14CF-4301Y	MF.RES IM	43 1/4W			W6991	QUB101-13PPPP	WIRE		
	R6201	QRA14CF-1201Y	M.F.RESISTOR	12 1/4W			W6992	QUB100-13PPPP	WIRE		
	R6203	QRA14CF-1001Y	M.F.RESISTOR	10 1/4W			W9998	QUB100-13PPPP	WIRE		
	R6204	QRE141J-102Y	C RESISTOR	1.0K 5% 1/4W			W9999	QUB101-13PPPP	WIRE		
	R6205	QRE141J-102Y	C RESISTOR	1.0K 5% 1/4W			Z9991	QNG0003-001Z	FUSE CLIP		
	R6206	QRE141J-221Y	C RESISTOR	220 5% 1/4W			Z9992	QNG0003-001Z	FUSE CLIP		
	R6207	QRA14CF-1001Y	M.F.RESISTOR	10 1/4W							
	R6211	QRA14CF-75R0Y	MF.RES IM	1/4W							
	R6212	QRA14CF-75R0Y	MF.RES IM	1/4W							
	R6213	QRE141J-472Y	C RESISTOR	4.7K 5% 1/4W							
	R6214	QRE141J-472Y	C RESISTOR	4.7K 5% 1/4W							
	R6215	QRA14CF-1001Y	M.F.RESISTOR	10 1/4W							
	R6216	QRA14CF-3001Y	MF.RES IM	30 1/4W							
	R6217	QRE141J-472Y	C RESISTOR	4.7K 5% 1/4W							
	R6218	QRE141J-472Y	C RESISTOR	4.7K 5% 1/4W							
	R6219	QRA14CF-1001Y	M.F.RESISTOR	10 1/4W							
	R6220	QRA14CF-3001Y	MF.RES IM	30 1/4W							
	R6301	QRA14CF-1501Y	MF.RES IM	15 1/4W							
	R6303	QRA14CF-1001Y	M.F.RESISTOR	10 1/4W							
	R6304	QRE141J-102Y	C RESISTOR	1.0K 5% 1/4W							
	R6305	QRE141J-102Y	C RESISTOR	1.0K 5% 1/4W							
	R6306	QRE141J-221Y	C RESISTOR	220 5% 1/4W							
	R6307	QRA14CF-1001Y	M.F.RESISTOR	10 1/4W							

■ Electrical parts list (Main board)

Block No. 05

△	Item	Parts number	Parts name	Remarks	Area	△	Item	Parts number	Parts name	Remarks	Area
	C 5	NCB21CK-104X	C.CAPA. C.M				C 171	NCB31HK-103X	C CAPACITOR		
	C 6	NCB21CK-104X	C.CAPA. C.M				C 172	NCB21AK-105X	C CAPACITOR		
	C 7	NCB21CK-104X	C.CAPA. C.M				C 173	NCB31HK-103X	C CAPACITOR		
	C 8	NCB21CK-104X	C.CAPA. C.M				C 174	NEA70GM-107X	E CAPACITOR		
	C 101	NCB31CK-104X	C CAPACITOR				C 175	NCB21AK-105X	C CAPACITOR		
	C 102	NEA70JM-476X	E.CAPACITOR				C 176	NCB31CK-104X	C CAPACITOR		
	C 103	NCB31CK-104X	C CAPACITOR				C 177	NEA70GM-107X	E CAPACITOR		
	C 104	NCS31HJ-560X	C CAPACITOR				C 178	NCB21AK-105X	C CAPACITOR		
	C 105	NCS31HJ-101X	C.CAPA. C.M				C 179	NCB31HK-103X	C CAPACITOR		
	C 106	NEA71CM-106X	E.CAPACITOR				C 180	NEA70GM-107X	E CAPACITOR		
	C 107	NCB31CK-104X	C CAPACITOR				C 181	NCB21AK-105X	C CAPACITOR		
	C 108	NCB31CK-104X	C CAPACITOR				C 182	NCB31HK-103X	C CAPACITOR		
	C 109	NCB31CK-104X	C CAPACITOR				C 186	NCB21AK-105X	C CAPACITOR		
	C 110	NCS31HJ-101X	C.CAPA. C.M				C 189	NCB31CK-104X	C CAPACITOR		
	C 111	NCB21CK-184X	C CAPACITOR				C 190	NEA70JM-107X	E.CAPACITOR		
	C 112	NCB31CK-104X	C CAPACITOR				C 191	NCB31CK-104X	C CAPACITOR		
	C 113	NCB31CK-104X	C CAPACITOR				C 192	NEA70JM-107X	E.CAPACITOR		
	C 114	NCB31CK-104X	C CAPACITOR				C 201	NCB31CK-104X	C CAPACITOR		
	C 115	NCB31HK-392X	C CAPACITOR				C 202	NCB31CK-393X	C CAPACITOR		
	C 116	NCB31CK-104X	C CAPACITOR				C 203	NCB31CK-393X	C CAPACITOR		
	C 117	NCB11CK-105X	C CAPACITOR				C 204	NCB31CK-393X	C CAPACITOR		
	C 118	NEX40JM-336X	E CAPACITOR				C 205	NCB31CK-393X	C CAPACITOR		
	C 119	NCB31CK-104X	C CAPACITOR				C 206	NCB31CK-104X	C CAPACITOR		
	C 120	NCB31CK-104X	C CAPACITOR				C 208	NCB31CK-104X	C CAPACITOR		
	C 121	NCB21CK-334X	C CAPACITOR				C 209	NCB31CK-104X	C CAPACITOR		
	C 122	NCS31HJ-121X	C CAPACITOR				C 210	NCB31CK-104X	C CAPACITOR		
	C 123	NCB31CK-104X	C CAPACITOR				C 211	NCB31CK-104X	C CAPACITOR		
	C 124	NCB31CK-104X	C CAPACITOR				C 212	NCB31CK-104X	C CAPACITOR		
	C 125	NCB31CK-104X	C CAPACITOR				C 213	NCB31CK-104X	C CAPACITOR		
	C 126	NCS31HJ-221X	C.CAPA. C.M				C 214	NCB31CK-104X	C CAPACITOR		
	C 127	NCS31HJ-221X	C.CAPA. C.M				C 215	NCB31HK-392X	C CAPACITOR		
	C 128	NCB31CK-104X	C CAPACITOR				C 217	NCB31HK-821X	C CAPACITOR		
	C 129	NCB21CK-224X	C CAPACITOR				C 218	NCB31HK-331X	C CAPACITOR		
	C 130	NCB31HK-102X	C CAPACITOR				C 219	NCB31HK-471X	C CAPACITOR		
	C 131	NCB31HK-681X	C CAPACITOR				C 221	NCB31HK-271X	C CAPACITOR		
	C 132	NCB31CK-104X	C CAPACITOR				C 222	NCB31HK-821X	C CAPACITOR		
	C 133	NEX40JM-566X	E CAPACITOR				C 223	NCB31HK-821X	C CAPACITOR		
	C 134	NCB11CK-105X	C CAPACITOR				C 224	NEA70JM-226X	E CAPACITOR		
	C 135	NCS31HJ-221X	C.CAPA. C.M				C 225	NCB11CK-105X	C CAPACITOR		
	C 136	NCB31CK-104X	C CAPACITOR				C 226	NCB31CK-104X	C CAPACITOR		
	C 137	NCB31CK-104X	C CAPACITOR				C 227	NCB31CK-104X	C CAPACITOR		
	C 138	NCB31CK-104X	C CAPACITOR				C 228	NEA70JM-107X	E.CAPACITOR		
	C 139	NCB31CK-104X	C CAPACITOR				C 229	NCB11CK-105X	C CAPACITOR		
	C 140	NCB31CK-104X	C CAPACITOR				C 230	NCB31CK-104X	C CAPACITOR		
	C 141	NCS31HJ-820X	C CAPACITOR				C 231	NCB31CK-104X	C CAPACITOR		
	C 142	NCB31HK-222X	C CAPACITOR				C 232	NCB31CK-104X	C CAPACITOR		
	C 143	NCB21CK-224X	C CAPACITOR				C 233	NCS31HJ-330X	C CAPACITOR		
	C 144	NCB31CK-104X	C CAPACITOR				C 234	NCB31HK-331X	C CAPACITOR		
	C 145	NCB11CK-105X	C CAPACITOR				C 235	NCB31CK-104X	C CAPACITOR		
	C 150	NCS31HJ-331X	C.CAPA. C.M				C 236	NCB31CK-823X	C CAPACITOR		
	C 151	NEX40JM-156X	E.CAPACITOR				C 237	NCB31CK-823X	C CAPACITOR		
	C 152	NEX40JM-156X	E.CAPACITOR				C 241	NCB31CK-104X	C CAPACITOR		
	C 153	NCB31CK-104X	C CAPACITOR				C 242	NEA70JM-107X	E.CAPACITOR		
	C 154	NCB31CK-104X	C CAPACITOR				C 251	NCB31CK-104X	C CAPACITOR		
	C 161	NEA70GM-107X	E CAPACITOR				C 252	NCB31CK-104X	C CAPACITOR		
	C 162	NCB21AK-105X	C CAPACITOR				C 253	NCB31CK-104X	C CAPACITOR		
	C 163	NCB31CK-104X	C CAPACITOR				C 254	NCB31CK-104X	C CAPACITOR		
	C 164	NEA70GM-107X	E CAPACITOR				C 255	NEA70JM-226X	E CAPACITOR		
	C 165	NCB21AK-105X	C CAPACITOR				C 256	NCB31CK-104X	C CAPACITOR		
	C 166	NCB31HK-103X	C CAPACITOR				C 257	NCB31CK-104X	C CAPACITOR		
	C 167	NEA70GM-107X	E CAPACITOR				C 258	NEA71CM-226X	E.CAPAP. C.M		
	C 168	NCB21AK-105X	C CAPACITOR				C 259	NCB31CK-104X	C CAPACITOR		
	C 169	NCB31HK-103X	C CAPACITOR				C 261	NCB31CK-104X	C CAPACITOR		
	C 170	NCB21AK-105X	C CAPACITOR				C 262	NCB31CK-104X	C CAPACITOR		



■ Electrical parts list (Main board)

Block No. 05

△	Item	Parts number	Parts name	Remarks	Area	△	Item	Parts number	Parts name	Remarks	Area
	C 263	NCB31CK-104X	C CAPACITOR				C 491	NCB31CK-104X	C CAPACITOR		
	C 264	NCB31CK-104X	C CAPACITOR				C 492	NEA70JM-226X	E CAPACITOR		
	C 271	NCB31CK-104X	C CAPACITOR				C 501	NCB31CK-104X	C CAPACITOR		
	C 273	NCB31HK-102X	C CAPACITOR				C 502	NCB31CK-104X	C CAPACITOR		
	C 275	NCB31HK-102X	C CAPACITOR				C 503	NCB31CK-104X	C CAPACITOR		
	C 276	NCB31CK-104X	C CAPACITOR				C 504	NCB31CK-104X	C CAPACITOR		
	C 281	NEA70JM-226X	E CAPACITOR				C 505	NCB31CK-104X	C CAPACITOR		
	C 282	NCB31CK-104X	C CAPACITOR				C 506	NCB31CK-104X	C CAPACITOR		
	C 284	NCB31HK-102X	C CAPACITOR				C 507	NCB31CK-104X	C CAPACITOR		
	C 286	NCB31HK-102X	C CAPACITOR				C 508	NCB31CK-104X	C CAPACITOR		
	C 287	NCB31CK-104X	C CAPACITOR				C 509	NCB31CK-104X	C CAPACITOR		
	C 288	NEA71CM-226X	E.CAPAP. C.M				C 510	NCB31CK-104X	C CAPACITOR		
	C 291	NCB31CK-104X	C CAPACITOR				C 511	NCB31CK-104X	C CAPACITOR		
	C 292	NEA71CM-476X	E CAPACITOR				C 512	NCB31CK-104X	C CAPACITOR		
	C 301	NCB31CK-104X	C CAPACITOR				C 513	NCB31CK-104X	C CAPACITOR		
	C 302	NCB31CK-104X	C CAPACITOR				C 514	NCB31CK-104X	C CAPACITOR		
	C 303	NCB31CK-104X	C CAPACITOR				C 515	NCB31CK-104X	C CAPACITOR		
	C 304	NCB31CK-104X	C CAPACITOR				C 516	NCB31CK-104X	C CAPACITOR		
	C 305	NCB31CK-104X	C CAPACITOR				C 517	NCB31CK-104X	C CAPACITOR		
	C 306	NCB31CK-104X	C CAPACITOR				C 518	NCB31CK-104X	C CAPACITOR		
	C 307	NCB31CK-104X	C CAPACITOR				C 519	NCB31CK-104X	C CAPACITOR		
	C 308	NCB31CK-103X	C CAPACITOR				C 520	NCB31CK-104X	C CAPACITOR		
	C 309	NCB31CK-104X	C CAPACITOR				C 521	NCB31CK-104X	C CAPACITOR		
	C 310	NCB31CK-104X	C CAPACITOR				C 522	NCB31CK-104X	C CAPACITOR		
	C 311	NCB31CK-104X	C CAPACITOR				C 523	NCB31CK-104X	C CAPACITOR		
	C 314	NCB31CK-104X	C CAPACITOR				C 524	NCB31CK-104X	C CAPACITOR		
	C 315	NCB31CK-104X	C CAPACITOR				C 525	NCB31CK-104X	C CAPACITOR		
	C 316	NEA70JM-107X	E.CAPACITOR				C 526	NCB31CK-104X	C CAPACITOR		
	C 317	NCB11CK-105X	C CAPACITOR				C 527	NCB31CK-104X	C CAPACITOR		
	C 318	NCB31CK-104X	C CAPACITOR				C 528	NCB31CK-104X	C CAPACITOR		
	C 319	NCB31CK-104X	C CAPACITOR				C 529	NCB31CK-104X	C CAPACITOR		
	C 320	NCB31CK-104X	C CAPACITOR				C 530	NEA70JM-107X	E.CAPACITOR		
	C 321	NCB31CK-104X	C CAPACITOR				C 531	NCB31CK-104X	C CAPACITOR		
	C 322	NEA70JM-107X	E.CAPACITOR				C 532	NCB31CK-104X	C CAPACITOR		
	C 323	NCB11CK-105X	C CAPACITOR				C 533	NCB31CK-104X	C CAPACITOR		
	C 324	NCB31CK-104X	C CAPACITOR				C 534	NEA70JM-107X	E.CAPACITOR		
	C 391	NCB31CK-104X	C CAPACITOR				C 535	NCB31CK-104X	C CAPACITOR		
	C 392	NEA70JM-226X	E CAPACITOR				C 536	NCB31CK-103X	C CAPACITOR		
	C 394	NCB31CK-104X	C CAPACITOR				C 537	NEA70JM-226X	E CAPACITOR		
	C 395	NEA70GM-107X	E CAPACITOR				C 538	NCB31CK-104X	C CAPACITOR		
	C 396	NCB31CK-104X	C CAPACITOR				C 539	NCB31CK-104X	C CAPACITOR		
	C 397	NEA70JM-107X	E.CAPACITOR				C 540	NEA70JM-226X	E CAPACITOR		
	C 401	NCB31CK-104X	C CAPACITOR				C 541	NCB31CK-104X	C CAPACITOR		
	C 402	NCB31CK-104X	C CAPACITOR				C 542	NEA70JM-226X	E CAPACITOR		
	C 405	NCB31CK-104X	C CAPACITOR				C 543	NCB31CK-104X	C CAPACITOR		
	C 406	NCB31CK-104X	C CAPACITOR				C 544	NEA70JM-107X	E.CAPACITOR		
	C 407	NCB31CK-104X	C CAPACITOR				C 545	NCB31CK-104X	C CAPACITOR		
	C 408	NEA70JM-226X	E CAPACITOR				C 551	NCB31CK-104X	C CAPACITOR		
	C 409	NCB31CK-104X	C CAPACITOR				C 552	NCB31CK-104X	C CAPACITOR		
	C 411	NCB31CK-104X	C CAPACITOR				C 553	NCB31CK-104X	C CAPACITOR		
	C 412	NCB31CK-104X	C CAPACITOR				C 554	NCB31CK-104X	C CAPACITOR		
	C 413	QCB1HK-101Y	C CAPACITOR	100PF 10% 50V			C 555	NEA70JM-226X	E CAPACITOR		
	C 441	NCB31CK-104X	C CAPACITOR				C 559	NCB31CK-104X	C CAPACITOR		
	C 442	NEX40JM-156X	E.CAPACITOR				C 561	NCB31CK-104X	C CAPACITOR		
	C 451	NCB31CK-104X	C CAPACITOR				C 562	NEA70JM-226X	E CAPACITOR		
	C 452	NBE21CM-335X	TS E CAPACITOR				C 563	NCB31CK-104X	C CAPACITOR		
	C 453	NCS31HJ-102X	C CAPACITOR				C 564	NCB31CK-104X	C CAPACITOR		
	C 454	NCB31CK-104X	C CAPACITOR				C 565	NCB31CK-104X	C CAPACITOR		
	C 455	NCB31CK-473X	C CAPACITOR				C 566	NCB31CK-104X	C CAPACITOR		
	C 456	NCB31CK-104X	C CAPACITOR				C 567	NEA70JM-226X	E CAPACITOR		
	C 457	NCB31CK-104X	C CAPACITOR				C 568	NCB31CK-104X	C CAPACITOR		
	C 458	NCB31CK-104X	C CAPACITOR				C 569	NEA70JM-226X	E CAPACITOR		
	C 459	NCS31HJ-101X	C.CAPA. C.M				C 571	NCB31CK-104X	C CAPACITOR		
	C 460	NCS31HJ-101X	C.CAPA. C.M				C 572	NEX40JM-156X	E.CAPACITOR		

■ Electrical parts list (Main board)

Block No. 05

△	Item	Parts number	Parts name	Remarks	Area	△	Item	Parts number	Parts name	Remarks	Area
	C 573	NCB31HK-103X	C CAPACITOR				CH162	NCB31HK-103X	C CAPACITOR		
	C 574	NCB31CK-104X	C CAPACITOR				CH163	NCB31HK-103X	C CAPACITOR		
	C 576	NCB31CK-104X	C CAPACITOR				CH164	NCB31HK-103X	C CAPACITOR		
	C 577	NCB31CK-104X	C CAPACITOR				CH161	NCB21AK-105X	C CAPACITOR		
	C 578	NCB31HK-103X	C CAPACITOR				CI162	NCB31HK-103X	C CAPACITOR		
	C 579	NCB31CK-104X	C CAPACITOR				CI163	NCB21AK-105X	C CAPACITOR		
	CA161	NCB31HK-103X	C CAPACITOR				CI164	NCB31HK-103X	C CAPACITOR		
	CA162	NCB31HK-103X	C CAPACITOR				CI165	NCB21AK-105X	C CAPACITOR		
	CA163	NCB31HK-103X	C CAPACITOR				CI166	NCB31HK-103X	C CAPACITOR		
	CA164	NCB31HK-103X	C CAPACITOR				CI167	NEA70JM-227X	E CAPACITOR		
	CA471	NCB31CK-104X	C CAPACITOR				CI168	NCB21AK-105X	C CAPACITOR		
	CA472	NCB31CK-104X	C CAPACITOR				CI169	NEA70JM-107X	E.CAPACITOR		
	CA473	NCB31CK-104X	C CAPACITOR				CI170	NCS31HJ-150X	C CAPACITOR		
	CA474	NCB31CK-104X	C CAPACITOR				CJ161	NCB31CK-104X	C CAPACITOR		
	CA475	NCB31CK-104X	C CAPACITOR				CK161	NCB31CK-104X	C CAPACITOR		
	CA476	NCB31CK-104X	C CAPACITOR				CK162	NCB31CK-104X	C CAPACITOR		
	CA477	NCB31CK-104X	C CAPACITOR				CL161	NCB31CK-104X	C CAPACITOR		
	CA478	NCB31CK-104X	C CAPACITOR				CL162	NCB31CK-104X	C CAPACITOR		
	CA479	NCB31CK-104X	C CAPACITOR				CL163	NEA70GM-476X	E.CAPA. C.M.		
	CA480	NCB31CK-104X	C CAPACITOR				CM161	NCB31CK-104X	C CAPACITOR		
	CA481	NCB31CK-104X	C CAPACITOR				CM162	NCB31CK-104X	C CAPACITOR		
	CA482	NCS31HJ-180X	C CAPACITOR				CN101	QGF1016C2-37W	CONNECTOR	MECHA	
	CA483	NCS31HJ-180X	C CAPACITOR				CN103	QGF1016C2-07W	CONNECTOR	LOADING	
	CA484	NCB31CK-104X	C CAPACITOR				CN104	QGA2001C2-12X	W TO B CONNE		
	CA485	NCB31CK-104X	C CAPACITOR				CN401	QGF1016C2-05W	CONNECTOR		
	CA486	NEA70JM-107X	E.CAPACITOR				CN501	QGA2001C2-13X	W TO B CONNE	POWER	
	CA487	NCB31CK-104X	C CAPACITOR				CN502	QGA2001C2-13X	W TO B CONNE	INTE.VIDEO	
	CA488	NCB31CK-104X	C CAPACITOR				CN504	QGF1016C2-21W	CONNECTOR	AUDIO FRONT	
	CA489	NCB31CK-104X	C CAPACITOR				CN505	QGF1016C2-21W	CONNECTOR	AUDIO REAR	
	CB161	NCB31HK-103X	C CAPACITOR				CN506	QGA2001C2-03X	W TO B CONNE	DIGITAL	
	CB162	NCB31HK-103X	C CAPACITOR				CN507	QGF1016C2-15W	CONNE C.M	FRONT	
	CB163	NCB31CK-683X	C CAPACITOR				CW431	NCB31CK-104X	C CAPACITOR		
	CB164	NCB31HK-103X	C CAPACITOR				CW432	NCB31CK-104X	C CAPACITOR		
	CB165	NCB31HK-103X	C CAPACITOR				CW433	NCB31CK-104X	C CAPACITOR		
	CB166	NCB31HK-103X	C CAPACITOR				CW434	NCB31CK-104X	C CAPACITOR		
	CB167	NCB31HK-103X	C CAPACITOR				CW435	NCB31CK-104X	C CAPACITOR		
	CC161	NCB31HK-103X	C CAPACITOR				CW436	NCB31CK-104X	C CAPACITOR		
	CC162	NCB31HK-103X	C CAPACITOR				CW437	NCB31CK-104X	C CAPACITOR		
	CC163	NCB31HK-103X	C CAPACITOR				CW438	NCB31CK-104X	C CAPACITOR		
	CC164	NCB31HK-103X	C CAPACITOR				CW439	NCB31CK-104X	C CAPACITOR		
	CC165	NCB31HK-103X	C CAPACITOR				CW440	NCB31CK-104X	C CAPACITOR		
	CC166	NCB31HK-103X	C CAPACITOR				D 201	1SS355-X	DIODE		
	CD161	NCB31HK-103X	C CAPACITOR				D 202	1SS355-X	DIODE		
	CD162	NCB31HK-103X	C CAPACITOR				D 203	1SS355-X	DIODE		
	CD163	NCB31HK-103X	C CAPACITOR				D 272	DAP202K-X	D.TR. C.M		
	CD164	NCB31HK-103X	C CAPACITOR				D 402	1SS355-X	DIODE		
	CE161	NCB31HK-103X	C CAPACITOR				D 403	1SS355-X	DIODE		
	CE162	NCB31HK-103X	C CAPACITOR				D 405	1SS355-X	DIODE		
	CE163	NCB31HK-103X	C CAPACITOR				D 406	1SS355-X	DIODE		
	CE164	NCB31HK-103X	C CAPACITOR				D 452	1SS355-X	DIODE		
	CF161	NCB31HK-103X	C CAPACITOR				DI161	DAN202K-X	D.TRANSISTOR		
	CF162	NCB31HK-103X	C CAPACITOR				IC101	AN8706FHQ	IC		
	CF163	NCB31CK-683X	C CAPACITOR				IC102	RN5R220BA-X	IC		
	CF164	NCB31HK-103X	C CAPACITOR				IC161	XCF56362PV100	IC		
	CF165	NCB31HK-103X	C CAPACITOR				IC162	MX27L1000TCD9D1	IC		
	CF166	NCB31HK-103X	C CAPACITOR				IC163	IS61LV256-12T	IC		
	CF167	NCB31HK-103X	C CAPACITOR				IC164	IS61LV256-12T	IC		
	CG161	NCB31HK-103X	C CAPACITOR				IC165	IS61LV256-12T	IC		
	CG162	NCB31HK-103X	C CAPACITOR				IC166	XC9514XL10TD9D	IC	ZIVA-DSP CONVER	
	CG163	NCB31HK-103X	C CAPACITOR				IC171	XCF56362PV100	IC		
	CG164	NCB31HK-103X	C CAPACITOR				IC172	MX27L1000TCD9D2	IC		
	CG165	NCB31HK-103X	C CAPACITOR				IC173	IS61LV256-12T	IC		
	CG166	NCB31HK-103X	C CAPACITOR				IC181	TC74HC74AF-W	IC C.M		
	CH161	NCB31HK-103X	C CAPACITOR				IC182	TC74VHC03F-X	IC		

■ Electrical parts list (Main board)

Block No. 05

△	Item	Parts number	Parts name	Remarks	Area	△	Item	Parts number	Parts name	Remarks	Area
	IC183	TC74ACT153F-X	IC				K 459	NQR0007-002X	FERRITE BEADS		
	IC185	TC7SET32FU-X	IC				K 460	NQR0007-002X	FERRITE BEADS		
	IC201	MN67705EA	IC				K 461	NQR0007-002X	FERRITE BEADS		
	IC251	AN8485SB-W	IC				K 462	NQR0007-002X	FERRITE BEADS		
	IC271	BA5983FM-X	IC				K 463	NQR0007-002X	FERRITE BEADS		
	IC301	MN103007BGA	IC				K 464	NQR0007-002X	FERRITE BEADS		
	IC401	MN102LP25G-D9D	IC	UNIT MICOM			K 465	NQR0007-002X	FERRITE BEADS		
	IC402	M27C1602CZ-D9E	IC				K 466	NQR0007-002X	FERRITE BEADS		
	IC403	AK93C65AF-X	IC				K 468	NRSA02J-471X	MG RESISTOR		
	IC404	TC74VHC00FT-X	IC				K 469	NRSA02J-471X	MG RESISTOR		
	IC405	TC74VHCT00AFT-X	IC				K 470	NRSA02J-471X	MG RESISTOR		
	IC431	MN67736WK	IC	WM DETECTOR			K 472	NRSA02J-471X	MG RESISTOR		
	IC451	M30622EC-FP-D9D	IC				K 473	NRSA02J-222X	MG RESISTOR		
	IC452	AK93C45AF-W	IC				K 474	NRSA02J-222X	MG RESISTOR		
	IC453	IC-PST574M/C/W	IC				K 475	NRSA02J-222X	MG RESISTOR		
	IC454	TC7WT125FU-X	IC(DIGITAL)				K 476	NRSA02J-222X	MG RESISTOR		
	IC471	JCV8005-2	IC	CPPM			K 477	NRSA02J-222X	MG RESISTOR		
	IC501	ZIVA3-PE0	IC				K 478	NRSA02J-222X	MG RESISTOR		
	IC502	NAX0265-001X	IC	27MHZ OSC			K 479	NRSA02J-471X	MG RESISTOR		
	IC503	TC74VHC00FT-X	IC				K 481	NRSA02J-471X	MG RESISTOR		
	IC504	D4516161AG5-A10	IC	NEC			K 482	NRSA02J-0R0X	MG RESISTOR		
	IC505	D4516161AG5-A10	IC	NEC			K 483	NRSA02J-0R0X	MG RESISTOR		
	IC551	JCE8011	IC(DIGITAL)				K 484	NRSA02J-560X	MG RESISTOR		
	IC553	M27C1602CZ-D9E2	IC				K 485	NRSA02J-560X	MG RESISTOR		
	IC554	MC44724AVFU	IC				K 486	NRSA02J-222X	MG RESISTOR		
	IC555	MC33269D-X	IC C.M				K 487	NRSA02J-222X	MG RESISTOR		
	IC556	TC74VHC125FT-X	IC				K 488	NRSA02J-471X	MG RESISTOR		
	IC557	TC74VHC125FT-X	IC				K 489	NRSA02J-471X	MG RESISTOR		
	IC558	TC74VHC125FT-X	IC				K 490	NRSA02J-471X	MG RESISTOR		
	IC559	TC74VHC125FT-X	IC				K 491	NRSA02J-471X	MG RESISTOR		
	K 101	NQR0007-002X	FERRITE BEADS				K 492	NRSA02J-471X	MG RESISTOR		
	K 102	NQR0007-002X	FERRITE BEADS				K 494	NRSA02J-471X	MG RESISTOR		
	K 103	NQR0007-002X	FERRITE BEADS				K 495	NRSA02J-222X	MG RESISTOR		
	K 155	NQR0007-002X	FERRITE BEADS				K 496	NRSA02J-222X	MG RESISTOR		
	K 156	NQR0007-002X	FERRITE BEADS				K 501	NQR0007-002X	FERRITE BEADS		
	K 157	NQR0007-002X	FERRITE BEADS				K 502	NQR0007-002X	FERRITE BEADS		
	K 158	NQR0007-002X	FERRITE BEADS				K 503	NQR0007-002X	FERRITE BEADS		
	K 159	NQR0007-002X	FERRITE BEADS				K 504	NQR0201-001X	FERRITE BEADS		
	K 160	NQR0007-002X	FERRITE BEADS				K 505	NQR0269-001X	FERRITE BEADS		
	K 161	NQR0322-001X	EMI FILTER C.M				K 506	NQR0007-002X	FERRITE BEADS		
	K 162	NQR0322-001X	EMI FILTER C.M				K 550	NQR0007-002X	FERRITE BEADS		
	K 163	NQR0322-001X	EMI FILTER C.M				K 551	NQR0007-002X	FERRITE BEADS		
	K 164	NQR0322-001X	EMI FILTER C.M				K 553	NQR0007-002X	FERRITE BEADS		
	K 165	NQR0322-001X	EMI FILTER C.M				K 554	NRSA02J-0R0X	MG RESISTOR		
	K 166	NQR0007-002X	FERRITE BEADS				K 555	NRSA02J-0R0X	MG RESISTOR		
	K 171	NQR0322-001X	EMI FILTER C.M				K 556	NQR0007-002X	FERRITE BEADS		
	K 172	NQR0322-001X	EMI FILTER C.M				K 557	NQR0007-002X	FERRITE BEADS		
	K 173	NQR0322-001X	EMI FILTER C.M				K 558	NQR0007-002X	FERRITE BEADS		
	K 201	NQR0007-002X	FERRITE BEADS				K 559	NQR0007-002X	FERRITE BEADS		
	K 202	NQR0007-002X	FERRITE BEADS				K 560	NQR0007-002X	FERRITE BEADS		
	K 251	NQR0007-002X	FERRITE BEADS				K 561	NQR0007-002X	FERRITE BEADS		
	K 271	NQR0007-002X	FERRITE BEADS				KA161	NQR0320-001X	EMI FILTER		
	K 301	NQR0007-002X	FERRITE BEADS				KA471	NQR0007-002X	FERRITE BEADS		
	K 302	NQR0007-002X	FERRITE BEADS				KB161	NQR0269-007X	FERRITE BEADS		
	K 401	NQR0007-002X	FERRITE BEADS				KD161	NQR0269-007X	FERRITE BEADS		
	K 402	NQR0007-002X	FERRITE BEADS				KD162	NQR0269-007X	FERRITE BEADS		
	K 451	NQR0007-002X	FERRITE BEADS				KE161	NQR0320-001X	EMI FILTER		
	K 452	NQR0007-002X	FERRITE BEADS				KE162	NRSA02J-0R0X	MG RESISTOR		
	K 453	NQR0007-002X	FERRITE BEADS				KE163	NQR0007-002X	FERRITE BEADS		
	K 454	NQR0007-002X	FERRITE BEADS				KE164	NQR0007-002X	FERRITE BEADS		
	K 455	NQR0007-002X	FERRITE BEADS				KE165	NQR0007-002X	FERRITE BEADS		
	K 456	NQR0007-002X	FERRITE BEADS				KE166	NQR0007-002X	FERRITE BEADS		
	K 457	NQR0007-002X	FERRITE BEADS				KE168	NRSA02J-0R0X	MG RESISTOR		
	K 458	NQR0007-002X	FERRITE BEADS				KE169	NRSA02J-0R0X	MG RESISTOR		

■ Electrical parts list (Main board)

Block No. 05

△	Item	Parts number	Parts name	Remarks	Area
	KF161	NQR0269-007X	FERRITE BEADS		
	KH161	NQR0269-007X	FERRITE BEADS		
	KH162	NQR0269-007X	FERRITE BEADS		
	KI161	NQR0322-001X	EMI FILTER C.M		
	KI162	NRSA02J-0R0X	MG RESISTOR		
	KI168	NQR0269-007X	FERRITE BEADS		
	KI169	NQR0269-007X	FERRITE BEADS		
	L 191	NQL044K-100X	INDUCTOR		
	L 241	NQL044K-100X	INDUCTOR		
	LI161	NQL024J-4R7X	INDUCTOR CM		
	Q 101	2SB1424/QR/-X	TRANSISTOR		
	Q 102	DTC124EE-X	DIGI TRANSISTOR		
	Q 103	DTA124EE-X	DIGI TRANSISTOR		
	Q 104	DTC124EE-X	DIGI TRANSISTOR		
	Q 105	DTC144EE-X	TRANSISTOR		
	Q 161	DTC114YE-X	TRANSISTOR		
	Q 162	DTC114YE-X	TRANSISTOR		
	Q 251	DTC144EE-X	TRANSISTOR		
	Q 252	DTC144EE-X	TRANSISTOR		
	Q 253	DTC144EE-X	TRANSISTOR		
	Q 254	DTC144EE-X	TRANSISTOR		
	Q 255	DTC144EE-X	TRANSISTOR		
	Q 451	DTC144EE-X	TRANSISTOR		
	Q 452	DTA114YE-X	TRANSISTOR		
	R 101	NRS125J-270X	MG RESISTOR		
	R 102	NRS125J-2R2X	MG RESISTOR		
	R 103	NRSA63J-123X	MG RESISTOR		
	R 104	NRSA63J-103X	MG RESISTOR		
	R 106	NRSA63J-223X	MG RESISTOR		
	R 108	NRSA63J-103X	MG RESISTOR		
	R 109	NRSA63J-823X	MG RESISTOR		
	R 110	NRSA63J-393X	MG RESISTOR		
	R 112	NRVA63D-123X	MG RESISTOR		
	R 113	NRSA63J-393X	MG RESISTOR		
	R 114	NRSA63J-272X	MG RESISTOR		
	R 115	NRSA63J-223X	MG RESISTOR		
	R 116	NRSA63J-103X	MG RESISTOR		
	R 117	NRSA63J-223X	MG RESISTOR		
	R 118	NRSA63J-153X	MG RESISTOR		
	R 119	NRSA63J-155X	MG RESISTOR		
	R 120	NRVA63D-332X	MF RESISTOR		
	R 121	NRSA63J-474X	MG RESISTOR		
	R 122	NRSA63J-474X	MG RESISTOR		
	R 123	NRSA63J-822X	MG RESISTOR		
	R 124	NRSA63J-183X	MG RESISTOR		
	R 125	NRSA63J-154X	MG RESISTOR		
	R 126	NRSA63J-564X	MG RESISTOR		
	R 127	NRSA63J-123X	MG RESISTOR		
	R 128	NRSA63J-223X	MG RESISTOR		
	R 129	NRSA63J-103X	MG RESISTOR		
	R 130	NRSA63J-822X	MG RESISTOR		
	R 131	NRSA63J-0R0X	MG RESISTOR		
	R 151	NRSA63J-0R0X	MG RESISTOR		
	R 152	NRSA63J-0R0X	MG RESISTOR		
	R 153	NRSA63J-0R0X	MG RESISTOR		
	R 154	NRSA63J-0R0X	MG RESISTOR		
	R 161	NRSA63J-472X	MG RESISTOR		
	R 162	NRSA63J-472X	MG RESISTOR		
	R 163	NRSA63J-473X	MG RESISTOR		
	R 201	NRSA63J-102X	MG RESISTOR		
	R 202	NRSA63J-102X	MG RESISTOR		
	R 203	NRSA63J-102X	MG RESISTOR		
	R 204	NRSA63J-102X	MG RESISTOR		
	R 205	NRSA63J-473X	MG RESISTOR		

△	Item	Parts number	Parts name	Remarks	Area
	R 206	NRSA63J-102X	MG RESISTOR		
	R 207	NRSA63J-473X	MG RESISTOR		
	R 208	NRSA63J-102X	MG RESISTOR		
	R 209	NRSA63J-473X	MG RESISTOR		
	R 210	NRSA63J-473X	MG RESISTOR		
	R 211	NRSA63J-102X	MG RESISTOR		
	R 212	NRSA63J-102X	MG RESISTOR		
	R 213	NRSA63J-183X	MG RESISTOR		
	R 214	NRSA63J-822X	MG RESISTOR		
	R 215	NRSA63J-473X	MG RESISTOR		
	R 216	NRSA63J-473X	MG RESISTOR		
	R 217	NRSA63J-0R0X	MG RESISTOR		
	R 218	NRSA63J-0R0X	MG RESISTOR		
	R 219	NRSA63J-0R0X	MG RESISTOR		
	R 220	NRSA63J-472X	MG RESISTOR		
	R 221	NRSA63J-0R0X	MG RESISTOR		
	R 222	NRSA63J-0R0X	MG RESISTOR		
	R 223	NRSA63J-0R0X	MG RESISTOR		
	R 224	NRSA63J-0R0X	MG RESISTOR		
	R 225	NRSA63J-0R0X	MG RESISTOR		
	R 226	NRSA63J-0R0X	MG RESISTOR		
	R 227	NRSA63J-0R0X	MG RESISTOR		
	R 228	NRSA63J-103X	MG RESISTOR		
	R 229	NRSA63J-0R0X	MG RESISTOR		
	R 230	NRSA63J-103X	MG RESISTOR		
	R 231	NRVA63D-683X	MF RESISTOR		
	R 232	NRVA63D-683X	MF RESISTOR		
	R 233	NRSA63J-103X	MG RESISTOR		
	R 234	NRSA63J-103X	MG RESISTOR		
	R 235	NRSA63J-473X	MG RESISTOR		
	R 236	NRSA63J-123X	MG RESISTOR		
	R 237	NRSA63J-0R0X	MG RESISTOR		
	R 238	NRSA63J-223X	MG RESISTOR		
	R 239	NRSA63J-333X	MG RESISTOR		
	R 240	NRSA63J-333X	MG RESISTOR		
	R 241	NRVA63D-362X	MG RESISTOR		
	R 242	NRSA63J-102X	MG RESISTOR		
	R 243	NRSA63J-472X	MG RESISTOR		
	R 244	NRSA63J-102X	MG RESISTOR		
	R 245	NRVA63D-103X	MF RESISTER		
	R 246	NRVA63D-183X	MG RESISTOR		
	R 247	NRVA63D-103X	MF RESISTER		
	R 248	NRVA63D-183X	MG RESISTOR		
	R 249	NRSA63J-102X	MG RESISTOR		
	R 251	NRSA63J-271X	MG RESISTOR		
	R 252	NRSA63J-271X	MG RESISTOR		
	R 253	NRSA63J-0R0X	MG RESISTOR		
	R 254	NRSA63J-0R0X	MG RESISTOR		
	R 255	NRSA63J-103X	MG RESISTOR		
	R 256	NRSA63J-103X	MG RESISTOR		
	R 257	NRSA63J-103X	MG RESISTOR		
	R 258	NRSA63J-103X	MG RESISTOR		
	R 259	NRSA63J-103X	MG RESISTOR		
	R 260	NRSA63J-223X	MG RESISTOR		
	R 261	NRSA63J-563X	MG RESISTOR		
	R 262	NRS125J-R47X	MG RESISTOR		
	R 263	NRSA63J-103X	MG RESISTOR		
	R 264	NRSA63J-103X	MG RESISTOR		
	R 267	NRSA63J-103X	MG RESISTOR		
	R 268	NRS181J-2R2X	MG RESISTOR		
	R 271	NRSA63J-243X	MG RESISTOR		
	R 272	NRSA63J-103X	MG RESISTOR		
	R 273	NRSA63J-103X	MG RESISTOR		
	R 274	NRSA63J-0R0X	MG RESISTOR		

■ Electrical parts list (Mainboard)

Block No. 05

△	Item	Parts number	Parts name	Remarks	Area	△	Item	Parts number	Parts name	Remarks	Area
	R 275	NRSA63J-243X	MG RESISTOR				R 453	NRSA63J-472X	MG RESISTOR		
	R 276	NRSA63J-103X	MG RESISTOR				R 454	NRSA63J-105X	MG RESISTOR		
	R 277	NRSA63J-103X	MG RESISTOR				R 455	NRSA63J-472X	MG RESISTOR		
	R 278	NRSA63J-0R0X	MG RESISTOR				R 456	NRSA63J-472X	MG RESISTOR		
	R 279	NRSA63J-473X	MG RESISTOR				R 457	NRSA63J-472X	MG RESISTOR		
	R 280	NRSA63J-0R0X	MG RESISTOR				R 458	NRSA63J-0R0X	MG RESISTOR		
	R 282	NRSA63J-273X	MG RESISTOR				R 459	NRSA63J-102X	MG RESISTOR		
	R 283	NRSA63J-103X	MG RESISTOR				R 460	NRSA63J-473X	MG RESISTOR		
	R 284	NRSA63J-103X	MG RESISTOR				R 461	NRSA63J-0R0X	MG RESISTOR		
	R 285	NRSA63J-0R0X	MG RESISTOR				R 462	NRSA63J-0R0X	MG RESISTOR		
	R 286	NRSA63J-273X	MG RESISTOR				R 463	NRSA63J-0R0X	MG RESISTOR		
	R 287	NRSA63J-103X	MG RESISTOR				R 464	NRSA63J-182X	MG RESISTOR		
	R 288	NRSA63J-103X	MG RESISTOR				R 465	NRSA63J-512X	MG RESISTOR		
	R 289	NRSA63J-0R0X	MG RESISTOR				R 466	NRSA63J-182X	MG RESISTOR		
	R 290	NRSA63J-0R0X	MG RESISTOR				R 467	NRSA63J-512X	MG RESISTOR		
	R 301	NRSA63J-473X	MG RESISTOR				R 468	NRZ0014-182X	NET RESISTOR		
	R 302	NRSA63J-473X	MG RESISTOR				R 469	NRZ0014-512X	NET RESISTOR		
	R 303	NRSA63J-473X	MG RESISTOR				R 474	NRSA63J-681X	MG RESISTOR		
	R 304	NRSA63J-473X	MG RESISTOR				R 501	NRSA63J-102X	MG RESISTOR		
	R 305	NRSA63J-473X	MG RESISTOR				R 502	NRSA63J-222X	MG RESISTOR		
	R 306	NRSA63J-473X	MG RESISTOR				R 503	NRSA63J-103X	MG RESISTOR		
	R 307	NRSA63J-473X	MG RESISTOR				R 504	NRSA63J-330X	MG RESISTOR		
	R 308	NRSA63J-473X	MG RESISTOR				R 505	NRSA63J-330X	MG RESISTOR		
	R 310	NRSA63J-102X	MG RESISTOR				R 506	NRSA63J-330X	MG RESISTOR		
	R 311	NRSA63J-102X	MG RESISTOR				R 507	NRSA63J-330X	MG RESISTOR		
	R 312	NRSA63J-102X	MG RESISTOR				R 508	NRSA63J-330X	MG RESISTOR		
	R 313	NRSA63J-0R0X	MG RESISTOR				R 509	NRSA63J-330X	MG RESISTOR		
	R 314	NRSA63J-0R0X	MG RESISTOR				R 510	NRSA63J-330X	MG RESISTOR		
	R 317	NRSA63J-473X	MG RESISTOR				R 511	NRSA63J-330X	MG RESISTOR		
	R 318	NRSA63J-0R0X	MG RESISTOR				R 512	NRSA63J-330X	MG RESISTOR		
	R 319	NRSA63J-0R0X	MG RESISTOR				R 513	NRSA63J-330X	MG RESISTOR		
	R 322	NRSA63J-473X	MG RESISTOR				R 514	NRSA63J-330X	MG RESISTOR		
	R 324	NRSA63J-473X	MG RESISTOR				R 515	NRSA63J-330X	MG RESISTOR		
	R 328	NRSA63J-473X	MG RESISTOR				R 516	NRSA63J-330X	MG RESISTOR		
	R 343	NRSA63J-102X	MG RESISTOR				R 517	NRSA63J-330X	MG RESISTOR		
	R 401	NRSA63J-102X	MG RESISTOR				R 518	NRSA63J-330X	MG RESISTOR		
	R 402	NRSA63J-102X	MG RESISTOR				R 519	NRSA63J-330X	MG RESISTOR		
	R 403	NRSA63J-472X	MG RESISTOR				R 520	NRSA63J-330X	MG RESISTOR		
	R 405	NRSA63J-472X	MG RESISTOR				R 521	NRSA63J-330X	MG RESISTOR		
	R 408	NRSA63J-472X	MG RESISTOR				R 522	NRSA63J-330X	MG RESISTOR		
	R 410	NRSA63J-0R0X	MG RESISTOR				R 524	NRSA63J-181X	MG RESISTOR		
	R 411	NRSA63J-472X	MG RESISTOR				R 525	NRSA63J-181X	MG RESISTOR		
	R 412	NRSA63J-472X	MG RESISTOR				R 526	NRSA63J-181X	MG RESISTOR		
	R 413	NRSA63J-472X	MG RESISTOR				R 527	NRSA63J-181X	MG RESISTOR		
	R 414	NRSA63J-472X	MG RESISTOR				R 528	NRSA63J-181X	MG RESISTOR		
	R 415	NRSA63J-472X	MG RESISTOR				R 529	NRSA63J-181X	MG RESISTOR		
	R 416	NRSA63J-472X	MG RESISTOR				R 530	NRSA63J-181X	MG RESISTOR		
	R 418	NRSA63J-472X	MG RESISTOR				R 531	NRSA63J-330X	MG RESISTOR		
	R 420	NRSA63J-0R0X	MG RESISTOR				R 532	NRSA63J-0R0X	MG RESISTOR		
	R 421	NRSA63J-0R0X	MG RESISTOR				R 533	NRSA63J-330X	MG RESISTOR		
	R 422	NRSA63J-0R0X	MG RESISTOR				R 534	NRSA63J-330X	MG RESISTOR		
	R 424	NRSA63J-0R0X	MG RESISTOR				R 535	NRSA63J-330X	MG RESISTOR		
	R 428	NRSA63J-0R0X	MG RESISTOR				R 536	NRSA63J-330X	MG RESISTOR		
	R 431	NRSA63J-472X	MG RESISTOR				R 537	NRSA63J-330X	MG RESISTOR		
	R 432	NRSA63J-472X	MG RESISTOR				R 538	NRSA63J-330X	MG RESISTOR		
	R 433	NRSA63J-104X	MG RESISTOR				R 539	NRSA63J-330X	MG RESISTOR		
	R 434	NRSA63J-104X	MG RESISTOR				R 540	NRSA63J-330X	MG RESISTOR		
	R 437	NRSA63J-102X	MG RESISTOR				R 541	NRSA63J-0R0X	MG RESISTOR		
	R 438	NRSA63J-102X	MG RESISTOR				R 542	NRSA63J-0R0X	MG RESISTOR		
	R 439	NRSA63J-102X	MG RESISTOR				R 543	NRSA63J-0R0X	MG RESISTOR		
	R 440	NRSA63J-102X	MG RESISTOR				R 544	NRSA63J-0R0X	MG RESISTOR		
	R 441	NRSA63J-472X	MG RESISTOR				R 545	NRSA63J-472X	MG RESISTOR		
	R 451	NRSA63J-102X	MG RESISTOR				R 546	NRSA63J-332X	MG RESISTOR		
	R 452	NRSA63J-472X	MG RESISTOR				R 547	NRSA63J-222X	MG RESISTOR		

■ Electrical parts list (Main board)

Block No. 05

△	Item	Parts number	Parts name	Remarks	Area
	R 548	NRSA63J-332X	MG RESISTOR		
	R 550	NRSA63J-0R0X	MG RESISTOR		
	R 554	NRSA63J-0R0X	MG RESISTOR		
	R 557	NRSA63J-0R0X	MG RESISTOR		
	R 558	NRSA63J-102X	MG RESISTOR		
	R 559	NRSA63J-0R0X	MG RESISTOR		
	R 561	NRVA63D-101X	MG RESISTOR		
	R 562	NRVA63D-101X	MG RESISTOR		
	R 563	NRVA63D-101X	MG RESISTOR		
	R 564	NRVA63D-132X	MG.RESI C.M		
	R 565	NRSA63J-132X	MG RESISTOR		
	R 566	NRSA63J-0R0X	MG RESISTOR		
	R 568	NRVA63D-101X	MG RESISTOR		
	R 569	NRVA63D-101X	MG RESISTOR		
	R 570	NRVA63D-101X	MG RESISTOR		
	R 571	NRSA63J-101X	MG RESISTOR		
	R 572	NRSA63J-181X	MG RESISTOR		
	R 573	NRSA63J-181X	MG RESISTOR		
	R 574	NRSA63J-181X	MG RESISTOR		
	R 575	NRSA63J-181X	MG RESISTOR		
	R 576	NRSA63J-181X	MG RESISTOR		
	R 577	NRSA63J-181X	MG RESISTOR		
	R 578	NRSA63J-181X	MG RESISTOR		
	R 579	NRSA63J-181X	MG RESISTOR		
	R 580	NRSA63J-181X	MG RESISTOR		
	R 581	NRSA63J-101X	MG RESISTOR		
	R 582	NRSA63J-0R0X	MG RESISTOR		
	R 583	NRVA63D-471X	CMF RESISTOR		
	R 584	NRVA63D-103X	MF RESISTOR		
	R 585	NRVA63D-471X	CMF RESISTOR		
	R 590	NRSA63J-681X	MG RESISTOR		
	R 594	NRSA63J-0R0X	MG RESISTOR		
	R 595	NRSA63J-0R0X	MG RESISTOR		
	R 596	NRSA63J-331X	MG RESISTOR		
	R 597	NRSA63J-681X	MG RESISTOR		
	R 598	NRSA63J-0R0X	MG RESISTOR		
	RA161	NRSA63J-473X	MG RESISTOR		
	RA162	NRSA63J-0R0X	MG RESISTOR		
	RA163	NRSA63J-0R0X	MG RESISTOR		
	RA164	NRSA63J-0R0X	MG RESISTOR		
	RA165	NRSA63J-473X	MG RESISTOR		
	RA166	NRSA63J-473X	MG RESISTOR		
	RA167	NRSA63J-473X	MG RESISTOR		
	RA471	NRSA63J-102X	MG RESISTOR		
	RA473	NRSA63J-105X	MG RESISTOR		
	RA486	NRSA63J-0R0X	MG RESISTOR		
	RA487	NRSA63J-0R0X	MG RESISTOR		
	RA488	NRSA63J-0R0X	MG RESISTOR		
	RA490	NRSA63J-0R0X	MG RESISTOR		
	RA491	NRSA63J-0R0X	MG RESISTOR		
	RA492	NRZ0014-102X	NET RESISTOR		
	RA493	NRZ0014-102X	NET RESISTOR		
	RA494	NRZ0014-152X	NET RESISTOR		
	RA495	NRZ0014-152X	NET RESISTOR		
	RA502	NRSA63J-0R0X	MG RESISTOR		
	RB161	NRSA63J-473X	MG RESISTOR		
	RB162	NRSA63J-473X	MG RESISTOR		
	RB163	NRSA63J-473X	MG RESISTOR		
	RB164	NRSA63J-473X	MG RESISTOR		
	RB165	NRSA63J-473X	MG RESISTOR		
	RB166	NRSA63J-103X	MG RESISTOR		
	RD161	NRSA63J-473X	MG RESISTOR		
	RD162	NRSA63J-473X	MG RESISTOR		
	RD163	NRSA63J-473X	MG RESISTOR		

△	Item	Parts number	Parts name	Remarks	Area
	RD164	NRSA63J-473X	MG RESISTOR		
	RD165	NRSA63J-473X	MG RESISTOR		
	RE161	NRSA63J-473X	MG RESISTOR		
	RE162	NRSA63J-470X	MG RESISTOR		
	RE163	NRSA63J-470X	MG RESISTOR		
	RE164	NRSA63J-470X	MG RESISTOR		
	RE165	NRSA63J-473X	MG RESISTOR		
	RF161	NRSA63J-473X	MG RESISTOR		
	RF162	NRSA63J-473X	MG RESISTOR		
	RF163	NRSA63J-473X	MG RESISTOR		
	RF164	NRSA63J-473X	MG RESISTOR		
	RF165	NRSA63J-473X	MG RESISTOR		
	RF166	NRSA63J-103X	MG RESISTOR		
	RH161	NRSA63J-473X	MG RESISTOR		
	RH162	NRSA63J-473X	MG RESISTOR		
	RH163	NRSA63J-473X	MG RESISTOR		
	RH164	NRSA63J-473X	MG RESISTOR		
	RH165	NRSA63J-473X	MG RESISTOR		
	RI163	NRSA63J-221X	MG RESISTOR		
	RI164	NRSA63J-221X	MG RESISTOR		
	RI165	NRSA63J-221X	MG RESISTOR		
	RI166	NRSA63J-102X	MG RESISTOR		
	RI167	NRSA63J-102X	MG RESISTOR		
	RI170	NRSA63J-562X	MG RESISTOR		
	RJ162	NRSA63J-101X	MG RESISTOR		
	RJ164	NRSA63J-101X	MG RESISTOR		
	RJ166	NRSA63J-101X	MG RESISTOR		
	RJ168	NRSA63J-101X	MG RESISTOR		
	RJ170	NRSA63J-101X	MG RESISTOR		
	RJ172	NRSA63J-101X	MG RESISTOR		
	RK161	NRSA63J-101X	MG RESISTOR		
	RK162	NRSA63J-101X	MG RESISTOR		
	RL164	NRSA63J-101X	MG RESISTOR		
	RL167	NRSA63J-101X	MG RESISTOR		
	RL169	NRSA63J-101X	MG RESISTOR		
	RL171	NRSA63J-101X	MG RESISTOR		
	RL174	NRSA63J-101X	MG RESISTOR		
	RN165	NRSA63J-102X	MG RESISTOR		
	RW431	NRSA63J-103X	MG RESISTOR		
	RW432	NRSA63J-103X	MG RESISTOR		
	RW433	NRSA63J-102X	MG RESISTOR		
	RW434	NRSA63J-472X	MG RESISTOR		
	X 401	NAX0331-001X	C RESONATOR		
	X 451	NAX0374-001X	C RESONATOR	16MHZ OSC	
	XA471	NAX0277-002X	CRYSTAL	33.86MHZ	

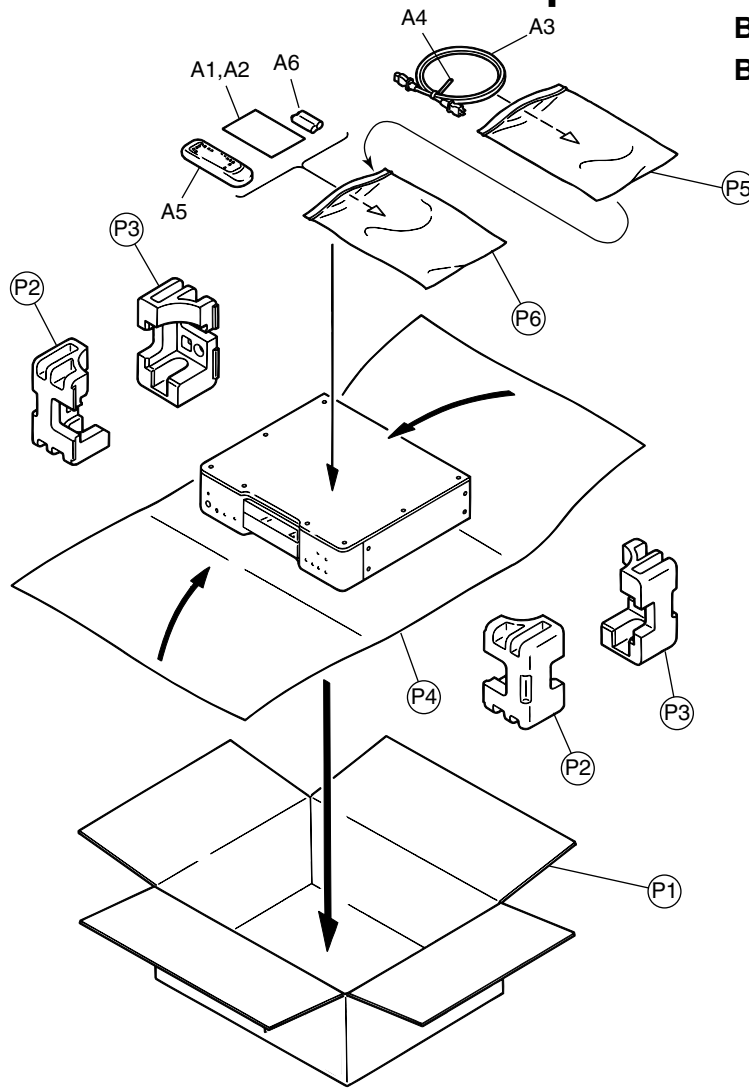
## ■ Electrical parts list (Mechanism board)

Block No. 06

△	Item	Parts number	Parts name	Remarks	Area
	C 17	NCS31HJ-101X	C.CAPA. C.M		
	C 18	NCS31HJ-101X	C.CAPA. C.M		
	C 19	NCS31HJ-101X	C.CAPA. C.M		
	CN 11	QGF1016F2-37W	CONNECTOR	TO MAIN	
	CN 12	QGF1016C2-21W	CONNECTOR	TO MECHA	
	CN 13	QGF1016F2-17W	CONNECTOR	TO MECHA	
	K 11	NQR0265-003X	FERRITE BEADS		
	K 12	NQR0265-003X	FERRITE BEADS		
	K 13	NQR0265-003X	FERRITE BEADS		
	K 14	NQR0265-003X	FERRITE BEADS		
	K 15	NQR0265-003X	FERRITE BEADS		
	K 16	NQR0265-002X	FERRITE BEADS		
	K 21	NQR0265-003X	FERRITE BEADS		
	K 22	NQR0265-003X	FERRITE BEADS		
	R 21	NRSA63J-0R0X	MG RESISTOR		
	R 23	NRSA63J-0R0X	MG RESISTOR		
	R 24	NRSA63J-0R0X	MG RESISTOR		
	R 25	NRSA63J-0R0X	MG RESISTOR		
	R 26	NRSA63J-0R0X	MG RESISTOR		
	R 28	NRSA63J-0R0X	MG RESISTOR		
	R 30	NRSA63J-0R0X	MG RESISTOR		
	R 31	NRSA63J-0R0X	MG RESISTOR		

# Packing materials and accessories parts list

Block NoM3MM  
Block NoM4MM



## ■ Packing parts list

Block No. M3MM

⚠	Item	Parts number	Parts name	Q'ty	Description	Area
	P 1	LV20629-004A	CARTON BOX	1		
	P 2	LV20666-001A	P.PAD(FRONT)	1		
	P 3	LV20667-001A	P.PAD (REAR)	1		
	P 4	E36997-259	PROECTOR SHEET	1		
	P 5	QPC02504015P	POLY BAG	1		
	P 6	QPB02403404P	ENVELOPE	1		

## ■ Accessories parts list

Block No. M4MM

⚠	Item	Parts number	Parts name	Q'ty	Description	Area
	A 1	LVT0454-003A	XVD9000 I.BOOK	1		
	A 2	BT-54008-2	WARRANTY CARD	1		
⚠	A 3	QMPL140-200-K	POWER CORD	1		
	A 4	E03709-001	FREE UP BELT	1		
	A 5	RM-SXVD9000A	REMOCON UNIT	1		
	A 6	-----	BATTERY	2		